

Remote Control and Security Systems Hybrids – ver.10



Web Site : <http://www.telecontrolli.com>

	Page
RR1-XXX	Super Regen Radio Receiver 2
RR3-XXX	Super Regen Radio Receiver – Laser Trimmed Inductor 4
RR4-XXX	Super Regen RX – Laser Trimmed Inductor – Cascode Input 6
RR6-XXX	Very Low Consumption Super Regen RX – Laser Trimmed Inductor 8
RR8-XXX	3V Supply Voltage - Very Low Consumption Super Regen RX 10
RR10-XXX	Narrow Bandwidth Super Regen RX – Laser Trimmed Inductor 12
RR11-XXX	Very Low Consumption Super Regen RX – Laser Trimmed Inductor 14
RR15-XXX	Super Regen RX – Front End SAW Filter – Shielded 16
RRS1-XXX	AM Superhet Receiver – SAW Front End Filter 18
RRS2-XXX	AM Superhet Receiver 20
RRS3-XXX	AM Superhet Receiver – PreAmp Front End Filter 22
RRQ1-XXX	AM Superhet Receiver with Crystal Oscillator 24
RRQ2-XXX	AM Superhet Receiver with Crystal Oscillator and Squelch Circuit 26
RRF1-XXX	FSK Superhet Receiver 28
RRFQ1-XXX	FSK Superhet Receiver with Crystal Oscillator 30
RT1-XXX	AM Radio Transmitter Module – Integrated Antenna 32
RT2-XXX	AM Radio Transmitter with SAW Resonator – Integrated Antenna 34
RT4-XXX	AM Radio Transmitter with SAW Resonator 36
RT5-XXX	AM Radio Transmitter with SAW Resonator 38
RT6-XXX	AM Radio Transmitter with SAW Resonator 40
RT8-XXX	AM Radio Transmitter with SAW Resonator 42
RTQ1-XXX	AM Radio Transmitter with Crystal Oscillator 44
RTF2-XXX	FSK Radio Transmitter with SAW Resonator 46
RTFQ1-XXX	FSK Radio Transmitter with Crystal Oscillator 48
UTR1	Ultrasonic Transmitter / Receiver 50
UTR2	Ultrasonic Transmitter / Receiver 52
UTR3	Ultrasonic Transmitter / Receiver 54
PID1	Passive Infrared Detector 56
IRT1	Infrared Pulse Transmitter 58
IRD1	Infrared Pulse Detector 60

HEAD OFFICE AND PLANT

Via Naz. delle Puglie 177
80026 Casoria (NA), Italy
Tel : +39 081 759 90 33
Fax : +39 081 759 64 94

customer.service.tc@ipmgroup.com

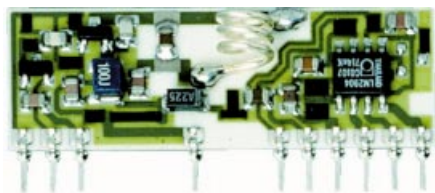
SALES OFFICE

Via Pirelli 32
20124 Milano, Italy
Tel : +39 02 67 11 681
Fax : +39 02 67 11 68 228

telecontrolli.mi@ipmgroup.com

RR1-XXX

Fixed Frequency Super Regenerative Radio Receiver



General description

The RR1-XXX is a super regenerative data receiver. Sensitivity typically exceeds -100dBm ($2.2\mu\text{Vrms}$) when matched to $50\ \Omega$.

The tuning frequency can be custom-specified in the range 200 to $450\ \text{MHz}$.

It shows stable electrical characteristics thanks to "Thick film hybrid" technology.

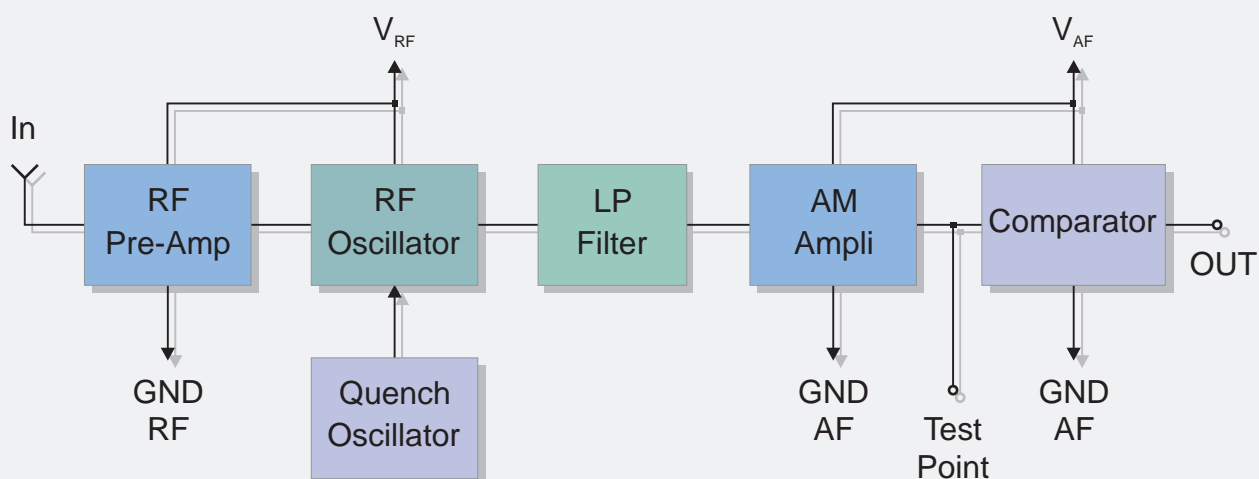
XXX: custom-specified working frequency
($200 \div 450\ \text{MHz}$)

Standard European and U.S. frequencies (315MHz , 418MHz , 433.92MHz) are readily available from stock.

Applications

- Home security systems
- Car Alarm systems
- Remote gate controls
- Sensor reporting

BLOCK DIAGRAM



Electrical Characteristics

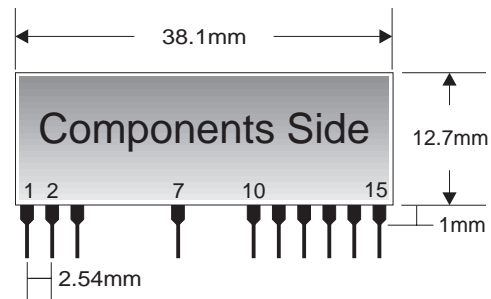
Ta = 25°C unless otherwise specified

CHARACTERISTICS		MIN	TYP	MAX	UNIT
V _{RF}	RF Supply Voltage	4.5	5	5.5	VDC
V _{AF}	AF Supply Voltage	4.5	5	5.5	VDC
I _S	Supply Current		2.5	3.5	mA
F _W	Working Frequency	200		450	MHz
	Tuning Tolerance		±0.5		MHz
B _W	-3dB Bandwidth		±2	±3	MHz
	Max Data Rate			2	KHz
	RF Sensitivity (100% AM)	-100	-105		dBm
	Level of Emitted Spectrum		-65	-60	dBm
V _{ol}	Low-Level Output Voltage			0.6	V
V _{oh}	High-Level Output Voltage	3.6			V
T _{OP}	Operating Temperature Range	-25		+80	°C

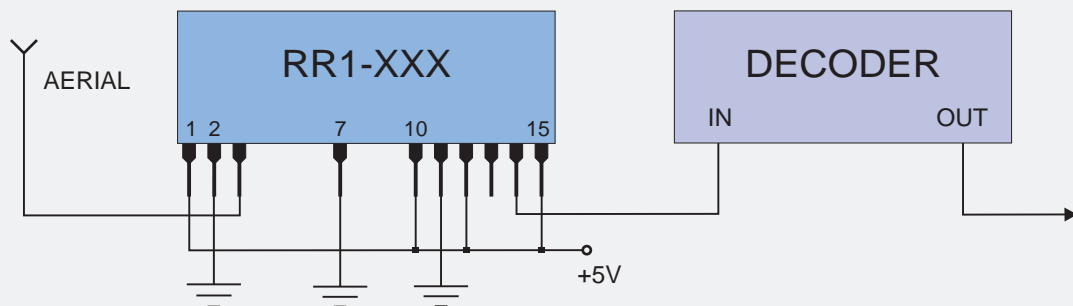
Pin Description

1	RF +V _{CC}	9	NC
2	RF GND	10	AF +V _{CC}
3	IN	11	AF GND
4	NC	12	AF +V _{CC}
5	NC	13	Test Point
6	NC	14	OUT
7	RF GND	15	AF +V _{CC}
8	NC		

Mechanical Dimensions

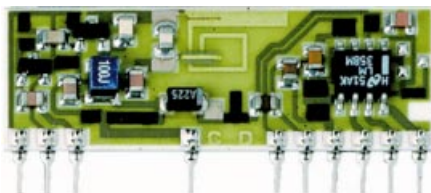


TYPICAL APPLICATION



RR3-XXX

Super Regenerative Radio Receiver With Laser Trimmed Inductor



General description

The RR3-XXX is a super regenerative data receiver. Sensitivity typically exceeds -100dBm ($2.2\mu\text{Vrms}$) when matched to $50\ \Omega$.

It shows high frequency stability also in presence of mechanical vibrations, manual handling and in a wide range of temperature.

The frequency accuracy is very high thanks to laser trimming process. PATENTED.

I-ETS 300-220 Compliance (RR3-418, RR3-433.92)
FCC 15/C Compliance (RR3-315)

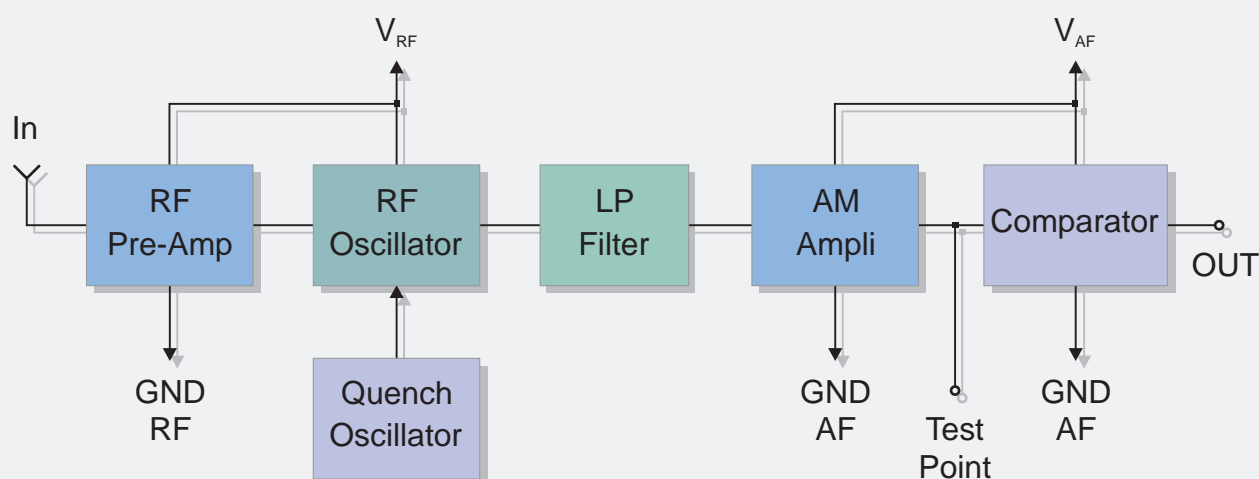
XXX: custom-specified working frequency
 ($200 \div 450\ \text{MHz}$)

Standard European and U.S. frequencies (315MHz , 418MHz , 433.92MHz) are readily available from stock.

Applications

- Home security systems
- Car Alarm systems
- Remote gate controls
- Sensor reporting

BLOCK DIAGRAM



Electrical Characteristics

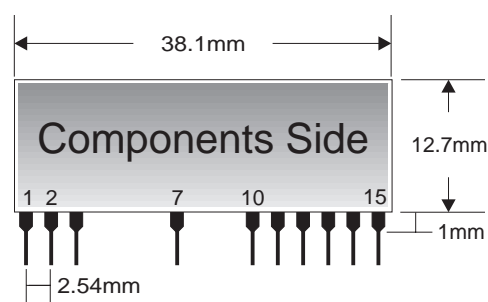
Ta = 25°C unless otherwise specified

CHARACTERISTICS		MIN	TYP	MAX	UNIT
V _{RF}	RF Supply Voltage	4.5	5	5.5	VDC
V _{AF}	AF Supply Voltage	4.5	5	5.5	VDC
I _S	Supply Current		2.5	3	mA
F _W	Working Frequency	200		450	MHz
	Tuning Tolerance		±0.2	±0.5	MHz
B _W	-3dB Bandwidth		±2	±3	MHz
	Max Data Rate			2	KHz
	RF Sensitivity (100% AM)	-100	-105		dBm
	Level of Emitted Spectrum		-65	-60	dBm
V _{ol}	Low-Level Output Voltage			0.6	V
V _{oh}	High-Level Output Voltage	3.6			V
T _{OP}	Operating Temperature Range	-25		+80	°C

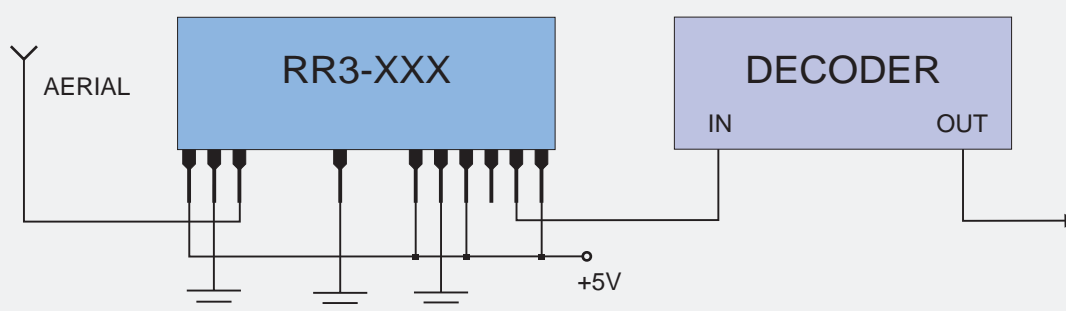
Pin Description

1	RF +V _{CC}	9	NC
2	RF GND	10	AF +V _{CC}
3	IN	11	AF GND
4	NC	12	AF +V _{CC}
5	NC	13	Test Point
6	NC	14	OUT
7	RF GND	15	AF +V _{CC}
8	NC		

Mechanical Dimensions



TYPICAL APPLICATION



RR4-XXX

Super Regenerative Radio Receiver With Laser Trimmed Inductor and Cascode Input Stage



General description

The RR4-XXX is a super regenerative data receiver. Sensitivity typically exceeds -100dBm ($2.2\mu\text{Vrms}$) when matched to $50\ \Omega$.

Emission level: $-70\ \text{dBm}$ typ (Cascode Input)

-3dB Bandwidth: $\pm 1.5\ \text{MHz}$ typ

It shows high frequency stability also in presence of mechanical vibrations, manual handling and in a wide range of temperature.

The frequency accuracy is very high thanks to laser trimming process. PATENTED.

I-ETS 300 220 Compliance (RR4-433.92)

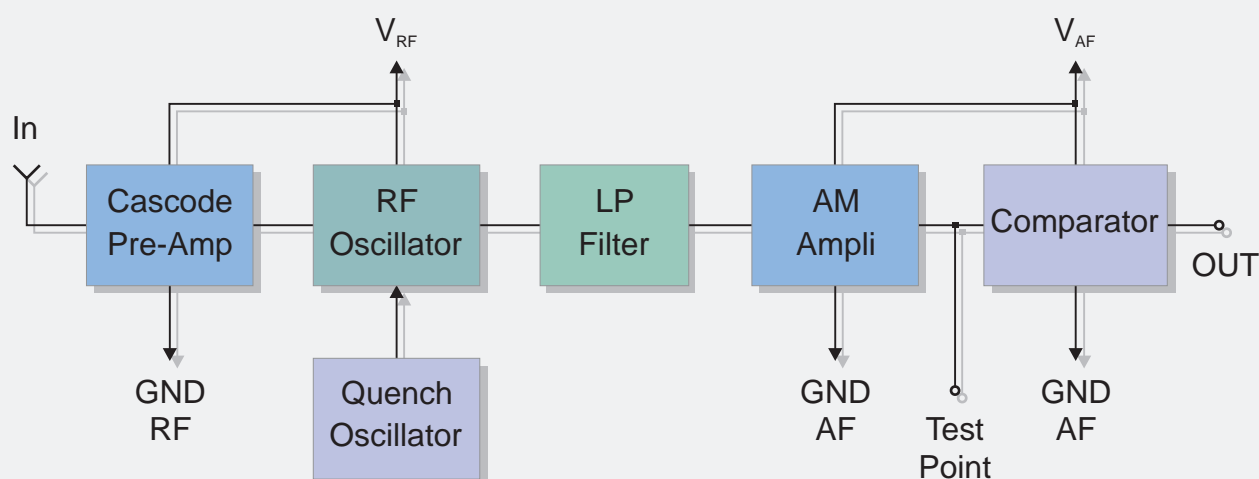
XXX: custom-specified working frequency
($200 \div 450\ \text{MHz}$)

Standard European and U.S. frequencies (315MHz , 418MHz , 433.92MHz) are readily available from stock.

Applications

- Home security systems
- Car Alarm systems
- Remote gate controls
- Sensor reporting

BLOCK DIAGRAM



Electrical Characteristics

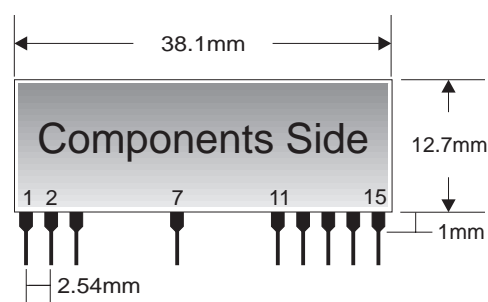
Ta = 25°C unless otherwise specified

CHARACTERISTICS		MIN	TYP	MAX	UNIT
V _{RF}	RF Supply Voltage	4.5	5	5.5	VDC
V _{AF}	AF Supply Voltage	4.5	5	5.5	VDC
I _S	Supply Current		2.5	3	mA
F _W	Working Frequency	200		450	MHz
	Tuning Tolerance		±0.2	±0.5	MHz
B _W	-3dB Bandwidth		±1.5	±2	MHz
	Max Data Rate			2	KHz
	RF Sensitivity (100% AM)	-100	-105		dBm
	Level of Emitted Spectrum		-70	-65	dBm
V _{ol}	Low-Level Output Voltage			0.6	V
V _{oh}	High-Level Output Voltage	3.6			V
T _{OP}	Operating Temperature Range	-25		+80	°C

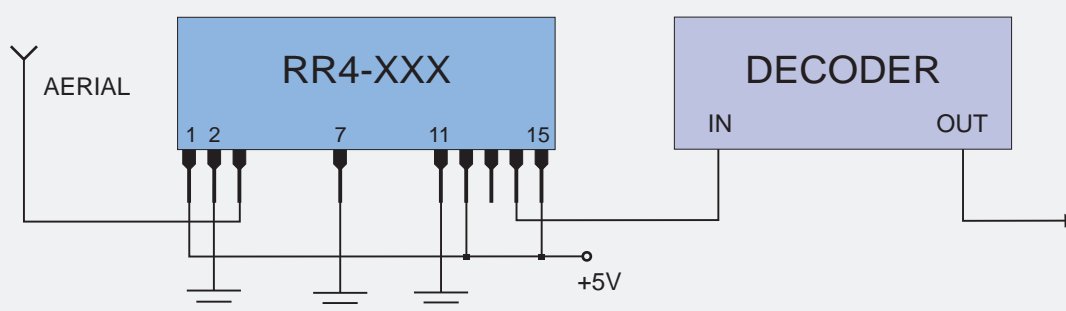
Pin Description

1	RF +V _{CC}	9	NC
2	RF GND	10	NC
3	IN	11	AF GND
4	NC	12	AF +V _{CC}
5	NC	13	Test Point
6	NC	14	OUT
7	RF GND	15	AF +V _{CC}
8	NC		

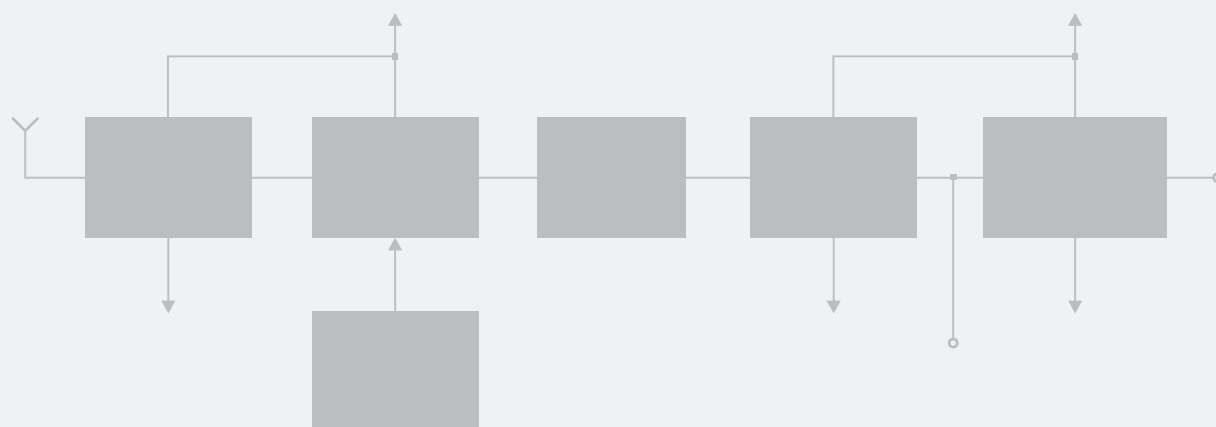
Mechanical Dimensions

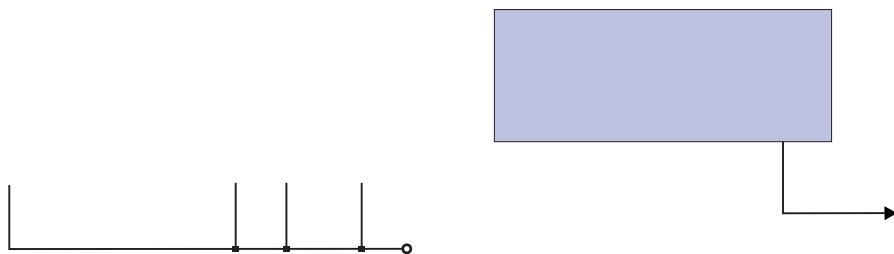
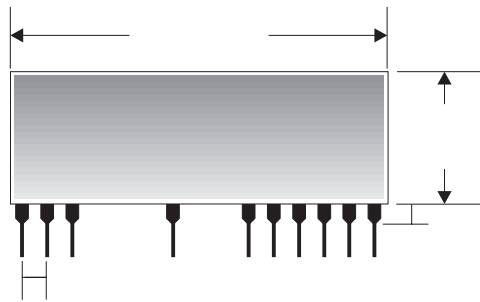
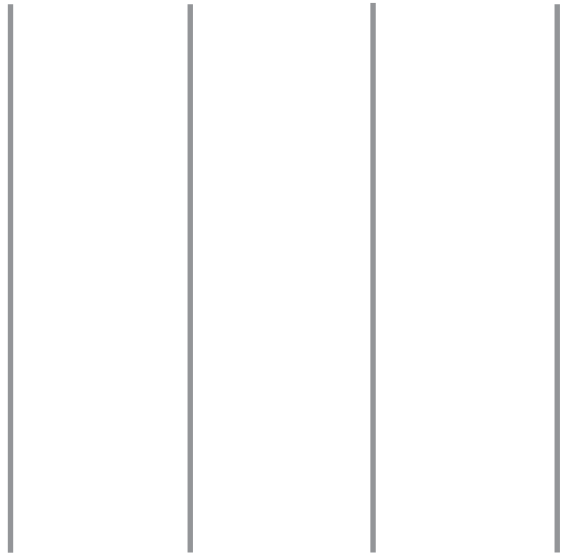


TYPICAL APPLICATION



Very Low Consumption Super Regenerative Radio Receiver - Fast Turn-On Time



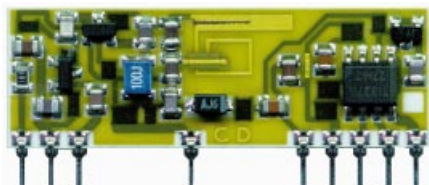


HEAD OFFICE & PLANT

Via Naz. delle Puglie 177
80026 Casoria (NA), Italy
Tel: +39 081 7599033
Fax: +39 081 7596494

RR8-XXX

3V Supply Voltage - Very Low Consumption
Super Regenerative Radio Receiver



General description

The RR8-XXX is a super regenerative data receiver.

Sensitivity typically exceeds -90dBm when matched to $50\ \Omega$.

Typical current consumption is $0.5\ \text{mA}$.

Low Turn-on Time ($150\ \text{msec}$).

It shows high frequency stability also in presence of mechanical vibrations, manual handling and in a wide range of temperature.

The frequency accuracy is very high thanks to laser trimming process. **PATENTED.**

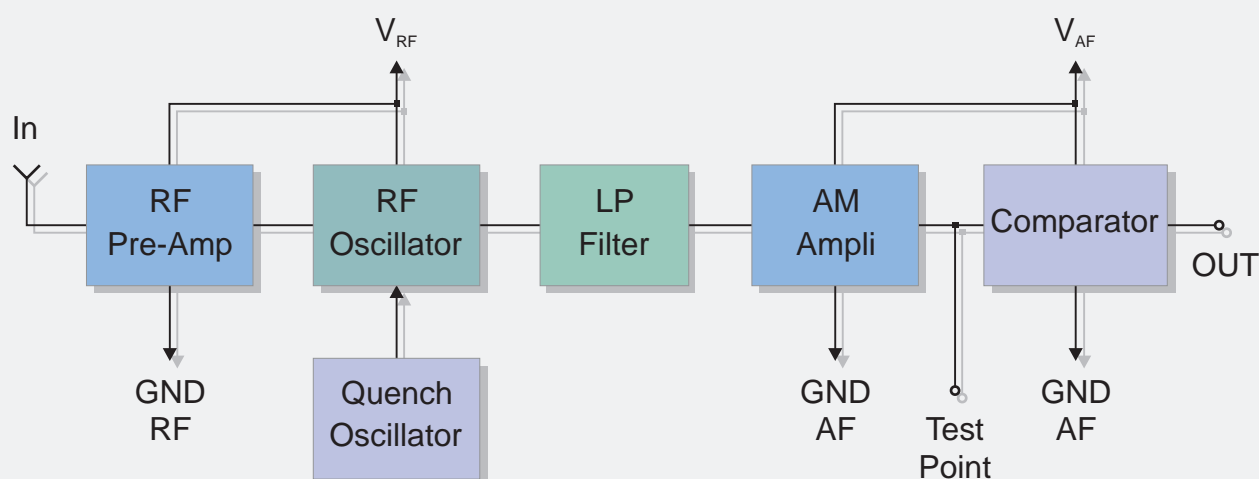
XXX: custom-specified working frequency
($200 \div 450\ \text{MHz}$)

Standard European and U.S. frequencies (315MHz , 418MHz , 433.92MHz) are readily available from stock.

Applications

- Battery powered portable devices
- Home security systems
- Car Alarm systems
- Remote gate controls
- Sensor reporting

BLOCK DIAGRAM



Electrical Characteristics

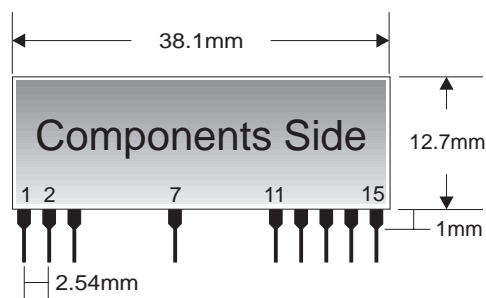
Ta = 25°C unless otherwise specified

CHARACTERISTICS		MIN	TYP	MAX	UNIT
V _{RF} , V _{AF}	Supply Voltage	2.7	3	3.3	VDC
I _S	Supply Current		0.5		mA
F _W	Working Frequency	280		450	MHz
	Tuning Tolerance		±0.2	±0.5	MHz
B _W	-3dB Bandwidth		±2	±3	MHz
	Max Data Rate			2	KHz
	RF Sensitivity (100% AM)		-90		dBm
	Level of Emitted Spectrum		-65	-60	dBm
T _{ON}	Turn-on Time		150		msec
T _{OP}	Operating Temperature Range	-25		+80	°C

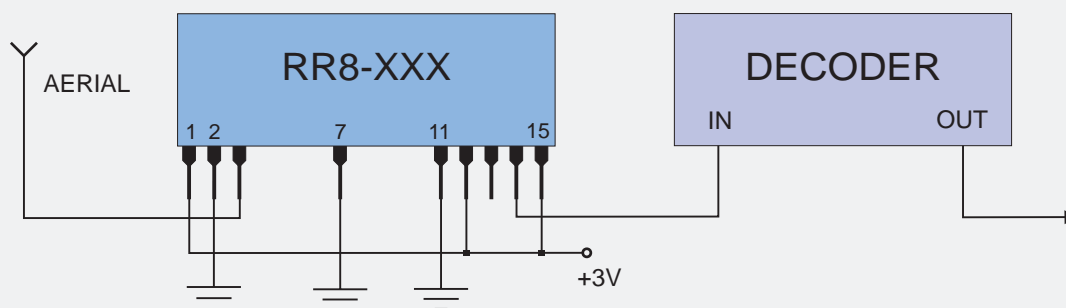
Pin Description

1	RF +V _{CC}	9	NC
2	RF GND	10	NC
3	IN	11	AF GND
4	NC	12	AF +V _{CC}
5	NC	13	Test Point
6	NC	14	OUT
7	RF GND	15	AF +V _{CC}
8	NC		

Mechanical Dimensions

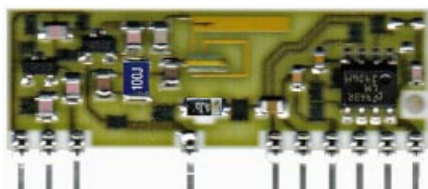


TYPICAL APPLICATION



RR10-XXX

Narrow Bandwidth Super Regenerative Radio Receiver - Laser Trimmed Inductor



General description

The RR10-XXX is a super regenerative data receiver. Sensitivity typically exceeds -100dBm ($2.2\mu\text{Vrms}$) when matched to $50\ \Omega$.

Narrow Bandwidth:

-3dB	+/- 1.5MHz
-30dB	+/- 5MHz
-50dB	+/- 7MHz

The frequency accuracy is very high thanks to laser trimming process. PATENTED.

I-ETS 300-220 Compliance

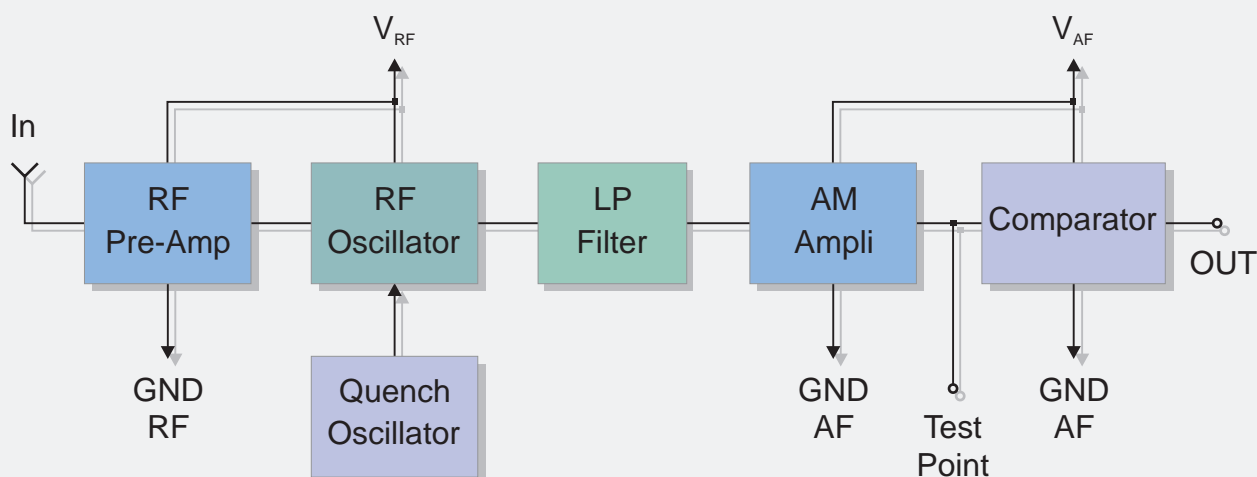
XXX: custom-specified working frequency
($200 \div 450\ \text{MHz}$)

Standard European and U.S. frequencies (315MHz , 418MHz , 433.92MHz) are readily available from stock.

Applications

- Home security systems
- Car Alarm systems
- Remote gate controls
- Sensor reporting

BLOCK DIAGRAM



Electrical Characteristics

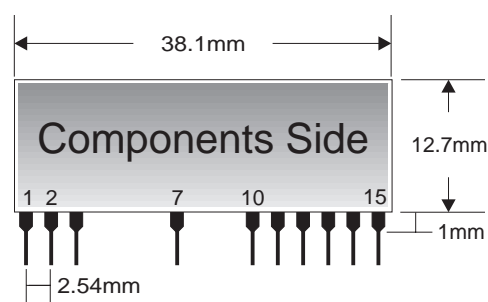
Ta = 25°C unless otherwise specified

CHARACTERISTICS		MIN	TYP	MAX	UNIT
V _{RF}	RF Supply Voltage	4.5	5	5.5	VDC
V _{AF}	AF Supply Voltage	4.5	5	5.5	VDC
I _S	Supply Current		1.2	1.5	mA
F _W	Working Frequency	200		450	MHz
	Tuning Tolerance		+/-0.2	+/-0.5	MHz
B _W	-3dB Bandwidth		+/-1.5	+/-2	MHz
	Max Data Rate			2	KHz
	RF Sensitivity (100% AM)	-100	-102		dBm
	Level of Emitted Spectrum		-65	-60	dBm
V _{ol}	Low-Level Output Voltage			0.6	V
V _{oh}	High-Level Output Voltage	3.6			V
T _{OP}	Operating Temperature Range	-25		+80	°C

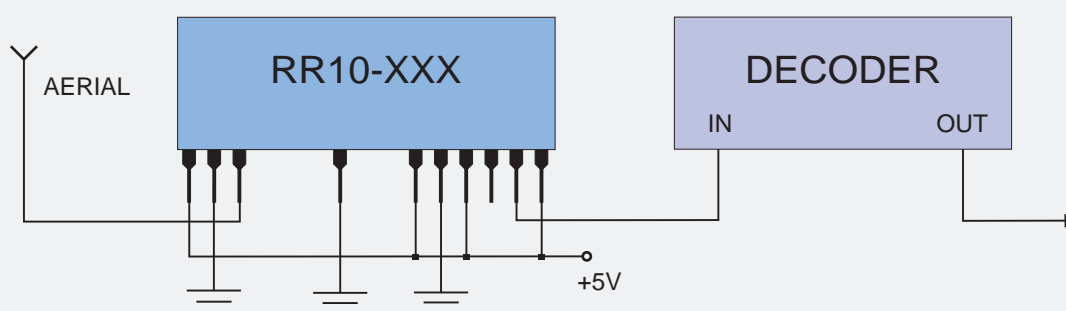
Pin Description

1	RF +V _{CC}	9	NC
2	RF GND	10	AF +V _{CC}
3	IN	11	AF GND
4	NC	12	AF +V _{CC}
5	NC	13	Test Point
6	NC	14	OUT
7	RF GND	15	AF +V _{CC}
8	NC		

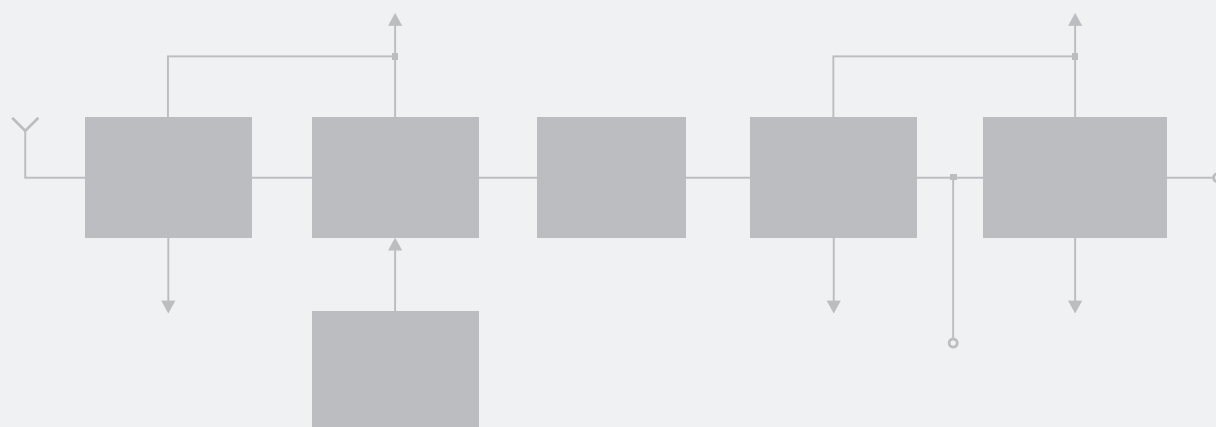
Mechanical Dimensions

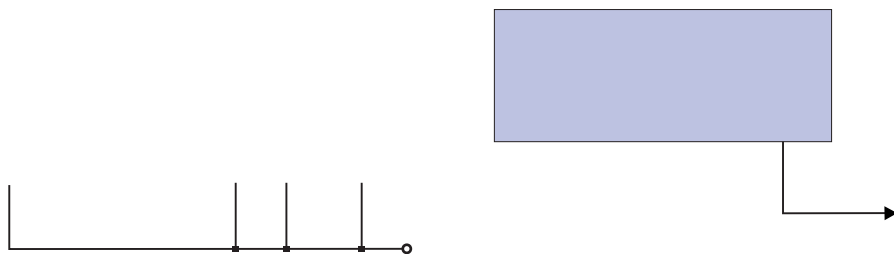
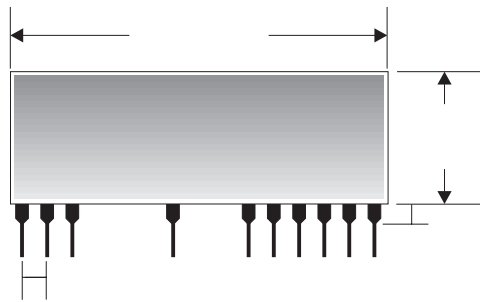
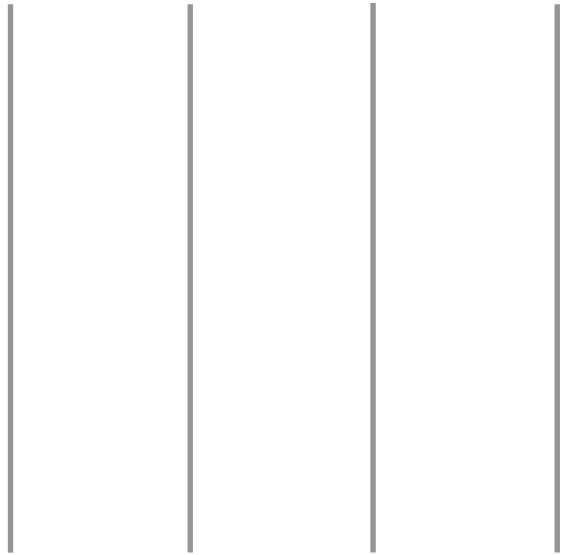


TYPICAL APPLICATION



Very Low Consumption Super Regenerative Radio Receiver - Fast Turn-On Time



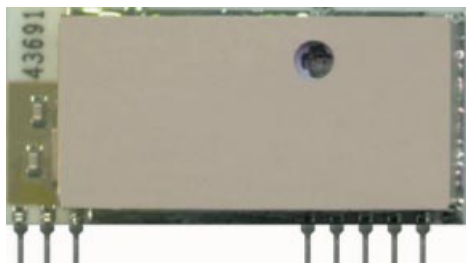


HEAD OFFICE & PLANT

Via Naz. delle Puglie 177
80026 Casoria (NA), Italy
Tel: +39 081 7599033
Fax: +39 081 7596494

RR15-XXX

Super Regenerative Radio Receiver with Front End SAW Filter - Shielded



General description

The RR15-XXX is a super regenerative data receiver with a front end SAW filter to reduce RF Bandwidth.

EMI immunity improved by a metal shield.

Sensitivity typically exceeds -100dBm ($2.2\mu\text{Vrms}$) when matched to $50\ \Omega$.

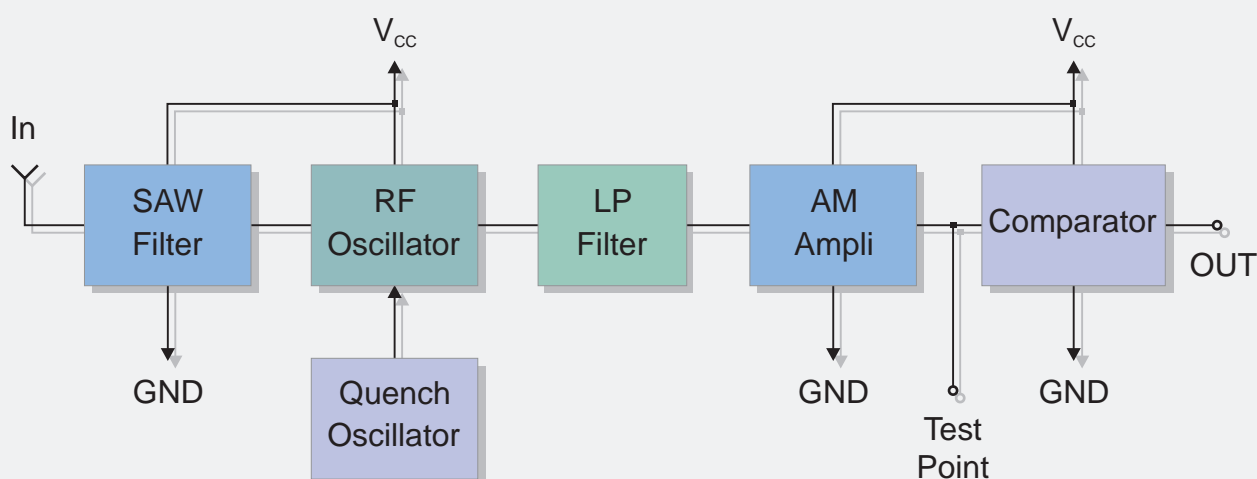
Narrow Bandwidth: $\pm 250\ \text{KHz}$

XXX: custom-specified working frequency

Applications

- Home security systems
- Car Alarm systems
- Remote gate controls
- Sensor reporting

BLOCK DIAGRAM



Electrical Characteristics

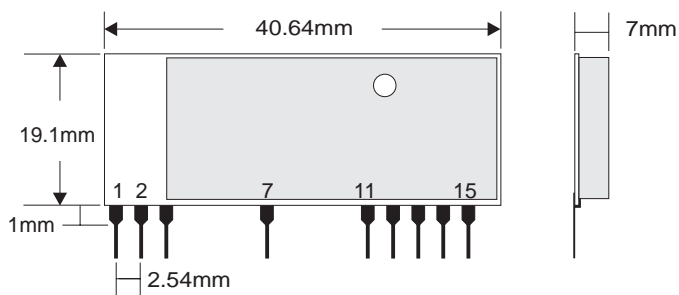
Ta = 25°C unless otherwise specified

CHARACTERISTICS		MIN	TYP	MAX	UNIT
V _{CC}	Supply Voltage	4.5	5	5.5	VDC
I _S	Supply Current		4.0		mA
F _W	Working Frequency		433.9		MHz
	Tuning Tolerance			+/-75	KHz
B _W	-3dB Bandwidth		+/-250	+/-300	KHz
	Data Rate		4.8	9.6	Kbit/s
	RF Sensitivity (100% AM)	-98	-102		dBm
	Level of Emitted Spectrum		-75	-70	dBm
V _{ol}	Low-Level Output Voltage			0.6	V
V _{oh}	High-Level Output Voltage	3.6			V
T _{OP}	Operating Temperature Range	-25		+80	°C

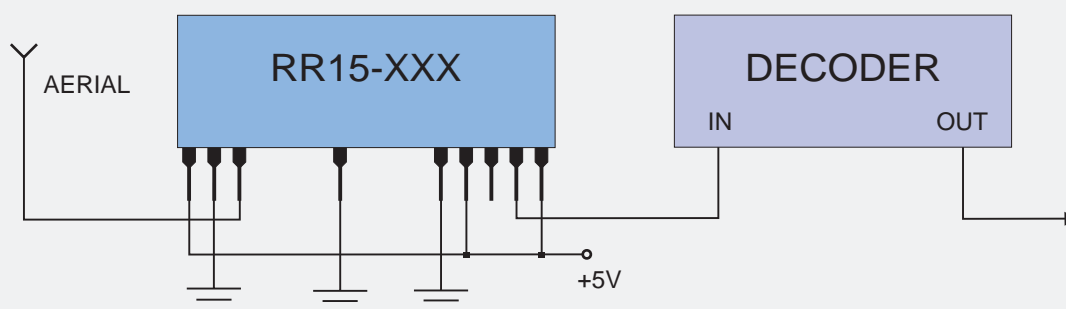
Pin Description

1	NC	12	+V _{CC}
2	GND	13	Test Point
3	IN	14	OUT
7	GND	15	+V _{CC}
11	GND		

Mechanical Dimensions

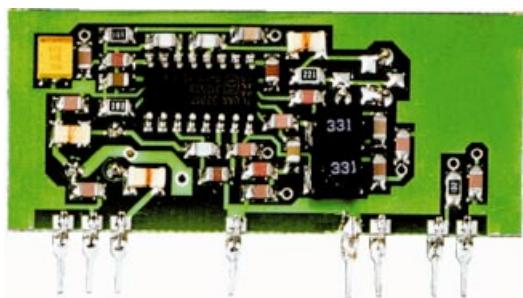


TYPICAL APPLICATION



RRS1-XXX

AM Superhet Receiver With SAW Front End Filter



General description

The RRS1-XXX is an AM superhet data receiver with SAW front end filter.

IF Frequency: 500KHz

Typical sensitivity: -100dBm (2.2uVrms)

Supply current: 3.7 mA (typ)

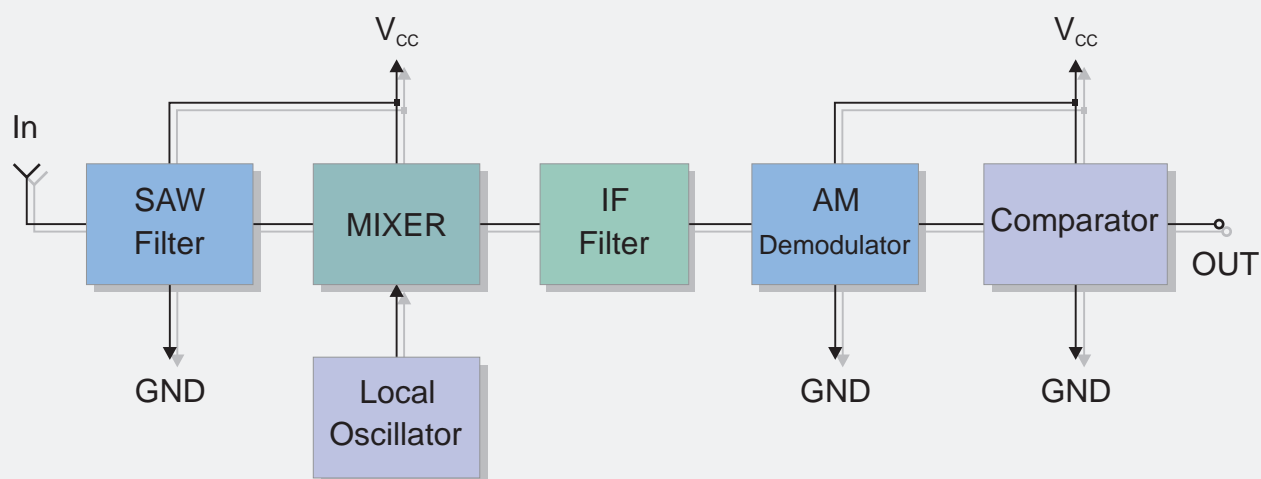
I-ETS 300 220 Compliance

XXX: custom-specified working frequency
(315, 418, 433.92 MHz)

Applications

- Wireless security systems
- Car Alarm systems
- Remote gate controls
- Sensor reporting

BLOCK DIAGRAM



Electrical Characteristics

Ta = 25°C unless otherwise specified

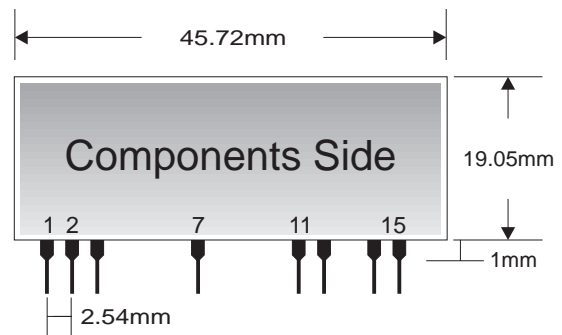
CHARACTERISTICS		MIN	TYP	MAX	UNIT
V _{CC}	Supply Voltage	4.5	5	5.5	VDC
I _S	Supply Current		3.7	5	mA
F _R	Receiver Frequency		315/418/433.92		MHz
F _{IF}	IF Frequency		500		KHz
	Max Data Rate			3	KHz
	RF Sensitivity (100% AM)*		-100		dBm
	Level of Emitted Spectrum		-65	-60	dBm
V _{ol}	Low-Level Output Voltage (I=-200uA)			0.6	V
V _{oh}	High-Level Output Voltage (I=10uA)	V _{CC} - 0.5			V
T _{OP}	Operating Temperature Range	-25		+80	°C

* Best Performances are obtained utilizing a transmitted coding with a DC average value independent of the data content (BiPhase Manchester coding)

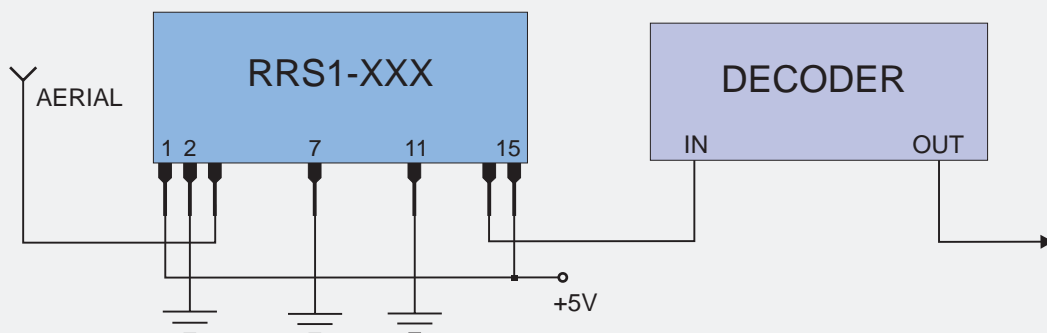
Pin Description

1	V _{CC}	9	NC
2	GND	10	NC
3	IN	11	GND
4	NC	12	V _{CC}
5	NC	13	NC
6	NC	14	OUT
7	GND	15	V _{CC}
8	NC		

Mechanical Dimensions

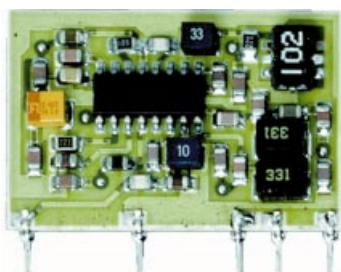


TYPICAL APPLICATION



RRS2-XXX

AM Superhet Receiver



General description

The RRS2-XXX is an AM superhet data receiver with LC Front End Filter.

IF Frequency: 500KHz

Typical sensitivity: -102dBm (1.8uVrms)

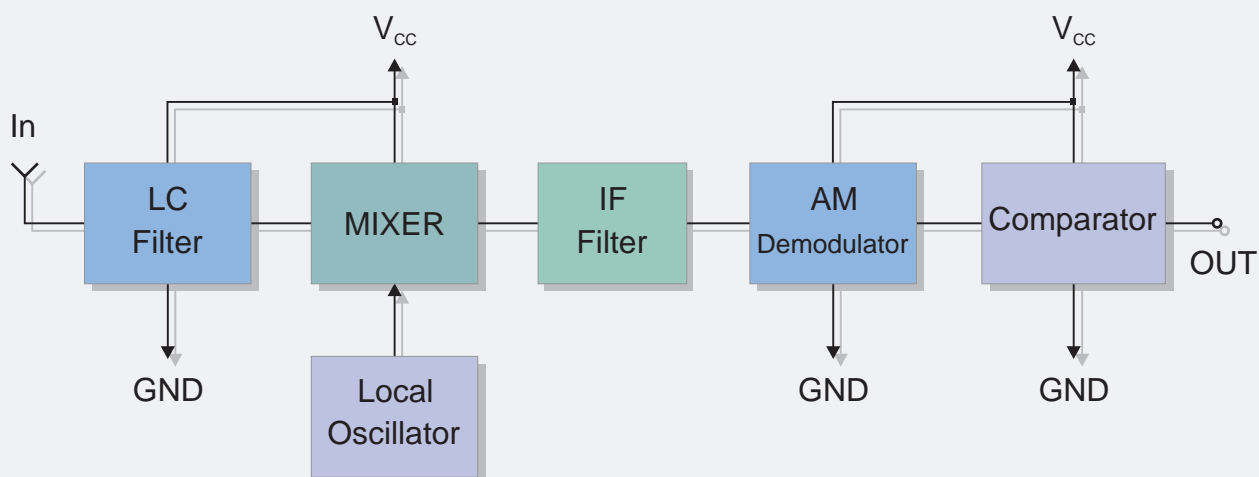
Supply current: 3.7 mA (typ)

XXX: custom-specified working frequency
(315, 418, 433.92 MHz)

Applications

- Wireless security systems
- Car Alarm systems
- Remote gate controls
- Sensor reporting

BLOCK DIAGRAM



Electrical Characteristics

Ta = 25°C unless otherwise specified

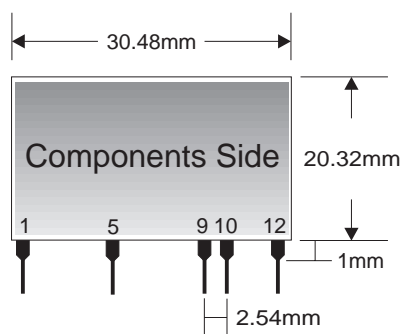
CHARACTERISTICS		MIN	TYP	MAX	UNIT
V _{CC}	Supply Voltage	4.5	5	5.5	VDC
I _S	Supply Current		3.7	5	mA
F _R	Receiver Frequency		315/418/433.92		MHz
F _{IF}	IF Frequency		500		KHz
	Max Data Rate			3	KHz
	RF Sensitivity (100% AM)*		-102		dBm
	Level of Emitted Spectrum		-50		dBm
V _{ol}	Low-Level Output Voltage (I=-200uA)			0.6	V
V _{oh}	High-Level Output Voltage (I=10uA)	V _{CC} - 0.5			V
T _{OP}	Operating Temperature Range	-25		+80	°C

* Best Performances are obtained utilizing a transmitted coding with a DC average value independent of the data content (BiPhase Manchester coding)

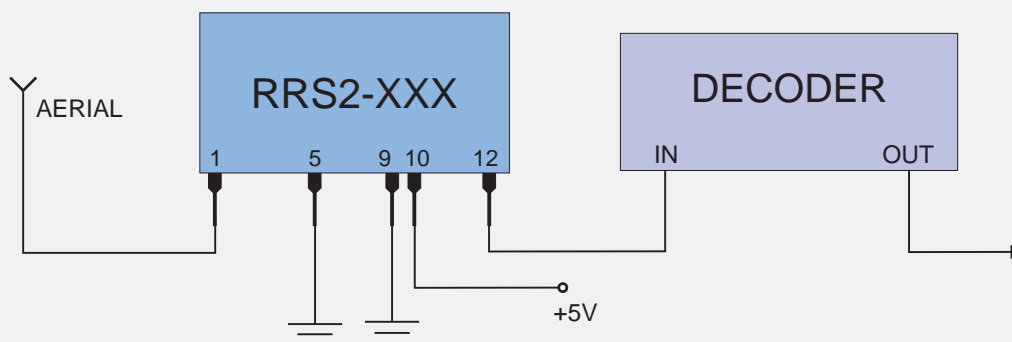
Pin Description

1	IN
5	GND
9	GND
10	VCC
12	OUT

Mechanical Dimensions

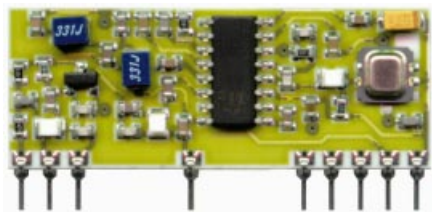


TYPICAL APPLICATION



RRS3-XXX

AM Superhet Receiver With PreAmp Front End Filter



General description

The RRS3-XXX is an AM superhet data receiver with pre-Amplifier front end filter.

IF Frequency: 500KHz

Typical sensitivity: -106 dBm

Supply current: 5 mA (typ)

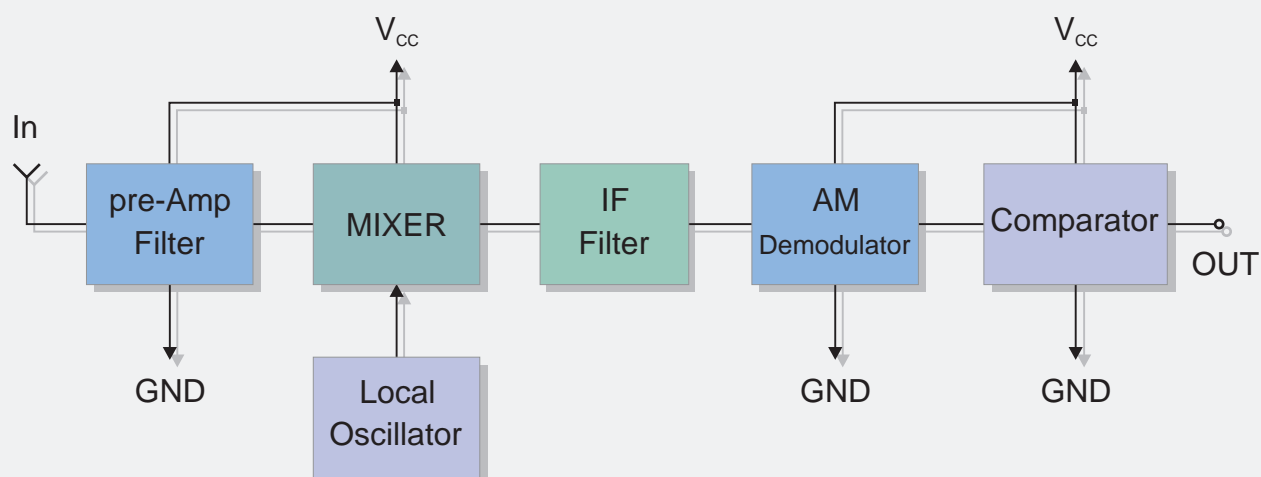
I-ETS 300-220 Compliance

XXX: custom-specified working frequency
(315, 418, 433.92 MHz)

Applications

- Wireless security systems
- Car Alarm systems
- Remote gate controls
- Sensor reporting

BLOCK DIAGRAM



Electrical Characteristics

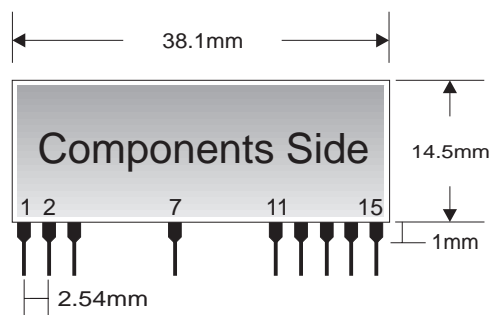
Ta = 25°C unless otherwise specified

CHARACTERISTICS		MIN	TYP	MAX	UNIT
V _{CC}	Supply Voltage	4.5	5	5.5	VDC
I _S	Supply Current		5	6	mA
F _R	Receiver Frequency		433.92		MHz
	RF Sensitivity (100% AM)		-106		dBm
B _w	-3dB Bandwidth		±400		KHz
	Max Data Rate			3	KHz
	Level of Emitted Spectrum		-70	-65	dBm
V _{ol}	Low-Level Output Voltage (I=-200uA)			0.6	V
V _{oh}	High-Level Output Voltage (I=10uA)	V _{CC} - 0.5			V
T _{OP}	Operating Temperature Range	-25		+80	°C

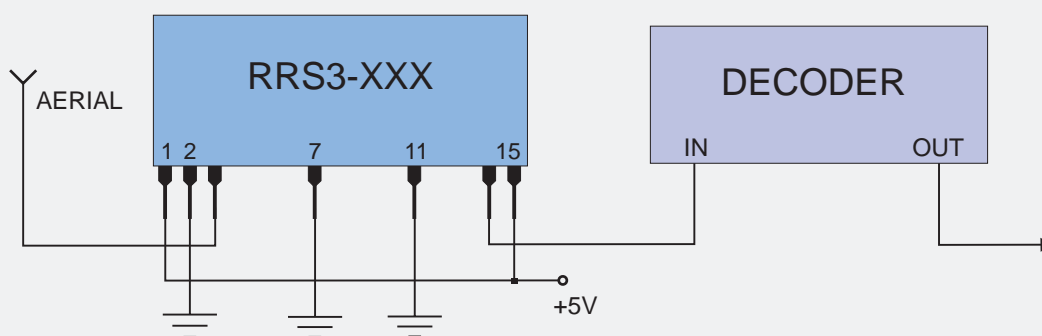
Pin Description

1	V _{CC}	9	NC
2	GND	10	NC
3	IN	11	GND
4	NC	12	NC
5	NC	13	NC
6	NC	14	OUT
7	GND	15	V _{CC}
8	NC		

Mechanical Dimensions

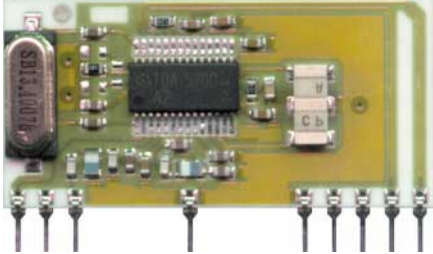


TYPICAL APPLICATION



RRQ1-XXX

AM Superhet Receiver with Crystal Oscillator



General description

The RRQ1-XXX is an AM superhet data receiver with PLL synthesizer and crystal oscillator.

Receiver Frequency: 315 / 433.92 / 868.35 MHz

IF Frequency: 10.7MHz

Typical sensitivity: -110 dBm

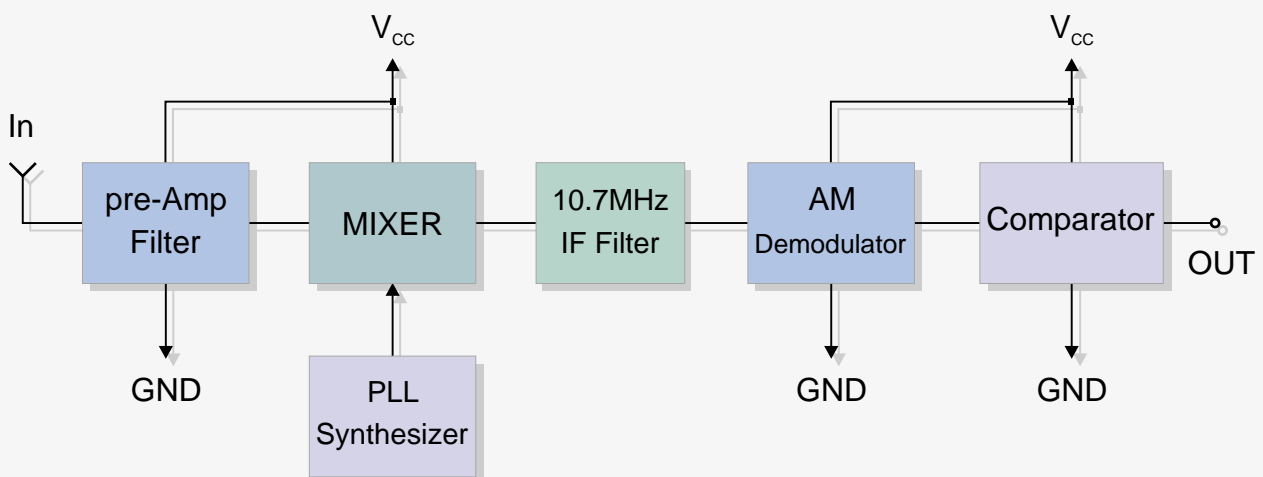
Supply current: 5 mA (typ)

XXX: custom-specified working frequency
(315, 433.92, 868.35 MHz)

Applications

- Wireless security systems
- Car Alarm systems
- Remote gate controls
- Sensor reporting

BLOCK DIAGRAM



Electrical Characteristics

Ta = 25°C unless otherwise specified

CHARACTERISTICS		MIN	TYP	MAX	UNIT
V _{CC}	Supply Voltage	4.5	5	5.5	VDC
I _S	Supply Current		5	6	mA
F _R	Receiver Frequency		315/433.9/868.35		MHz
	RF Sensitivity (100% AM)		-110 / -110 / -104		dBm
B _w	-3dB Bandwidth		±200		KHz
	Max Data Rate			4.8	Kbit/s
	Level of Emitted Spectrum			-70	dBm
V _{ol}	Low-Level Output Voltage (I=10uA)			0.8	V
V _{oh}	High-Level Output Voltage (I=-200uA)	V _{CC} - 1			V
T _{OP}	Operating Temperature Range	-25		+80	°C

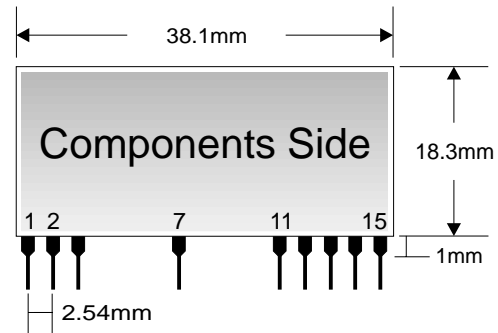
Pin Description

1	V _{CC}	12	NC
2	GND	13	NC
3	IN	14	OUT
7	GND	15	PD (Power Down)
11	GND		

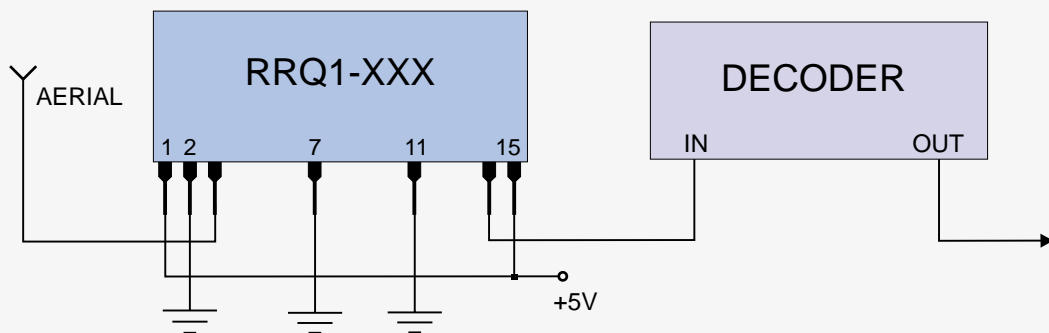
PD = 0V ---> RX OFF (I_{standby} = 100nA max)

PD = 5V ---> RX ON

Mechanical Dimensions

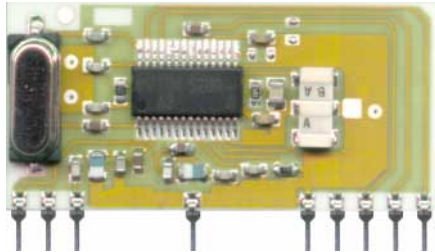


TYPICAL APPLICATION



RRQ2-XXX

AM Superhet Receiver with Crystal Oscillator and Squelch Circuit



General description

The RRQ2-XXX is an AM superhet data receiver with PLL synthesizer and crystal oscillator.

A squelch function is implemented to reduce output "noise" when no transmitter is active.

Receiver Frequency: 315 / 433.92 / 868.35 MHz

IF Frequency: 10.7MHz

Typical sensitivity: -107 dBm

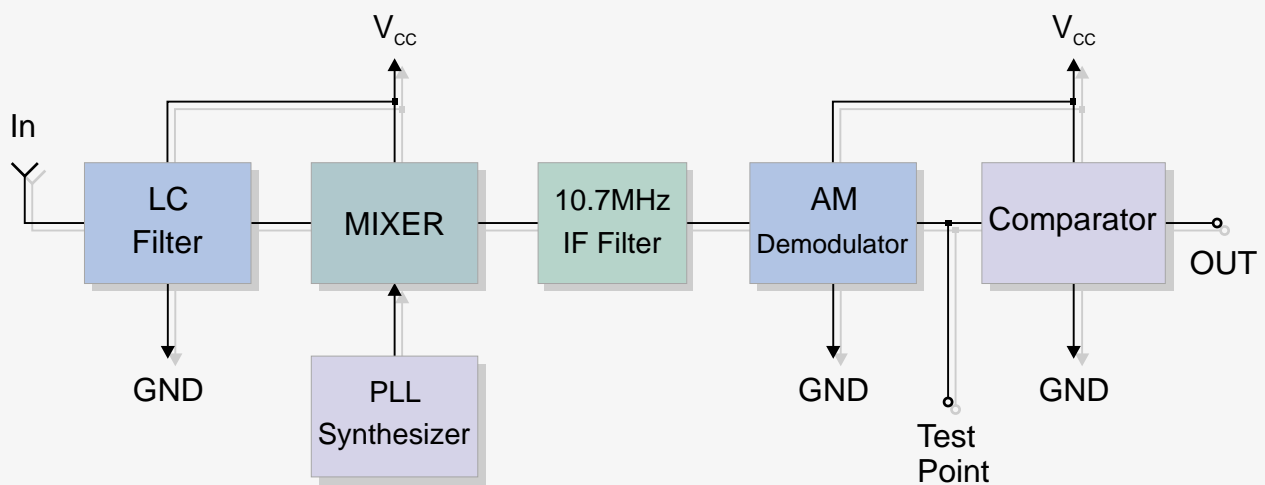
Supply current: 5 mA (typ)

Applications

- Wireless security systems
- Car Alarm systems
- Remote gate controls
- Sensor reporting

XXX: custom-specified working frequency
(315, 433.92, 868.35 MHz)

BLOCK DIAGRAM



Electrical Characteristics

Ta = 25°C unless otherwise specified

CHARACTERISTICS		MIN	TYP	MAX	UNIT
V _{CC}	Supply Voltage	4.5	5	5.5	VDC
I _S	Supply Current		5	6	mA
F _R	Receiver Frequency		315/433.9/868.35		MHz
	RF Sensitivity (100% AM)		-107 / -107 / -102		dBm
B _w	-3dB Bandwidth		±200		KHz
	Max Data Rate			4.8	Kbit/s
	Level of Emitted Spectrum			-70	dBm
V _{ol}	Low-Level Output Voltage (I=10uA)			0.8	V
V _{oh}	High-Level Output Voltage (I=-200uA)	V _{CC} - 1			V
T _{OP}	Operating Temperature Range	-25		+80	°C

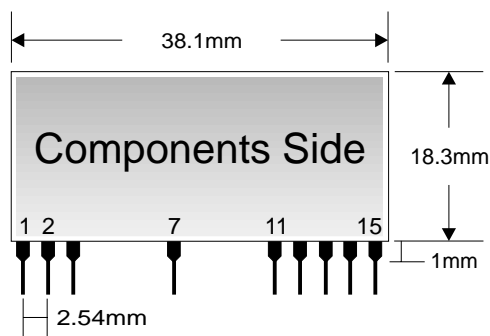
Pin Description

1	V _{CC}	12	NC
2	GND	13	Test Point
3	IN	14	OUT
7	GND	15	PD (Power Down)
11	GND		

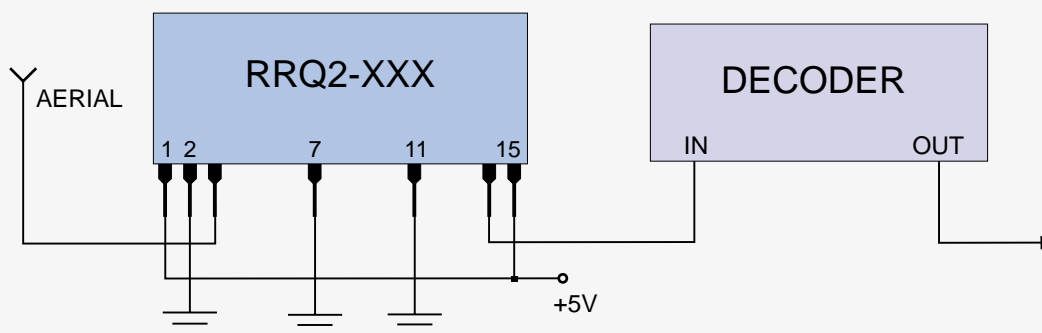
PD = 0V ---> RX OFF (I_{standby} = 100nA max)

PD = 5V ---> RX ON

Mechanical Dimensions



TYPICAL APPLICATION



RRF1-XXX-Y

FSK Superhet Receiver



General description

The RRF1-XXX is an FSK superhet data receiver with pre-Amplifier front end filter.

IF Frequency: 1 MHz

Typical sensitivity: -90 dBm

Supply current: 5.5 mA (typ)

Up to 250 meters range with RTF2-XXX transmitter.

I-ETS 300-220 Compliance

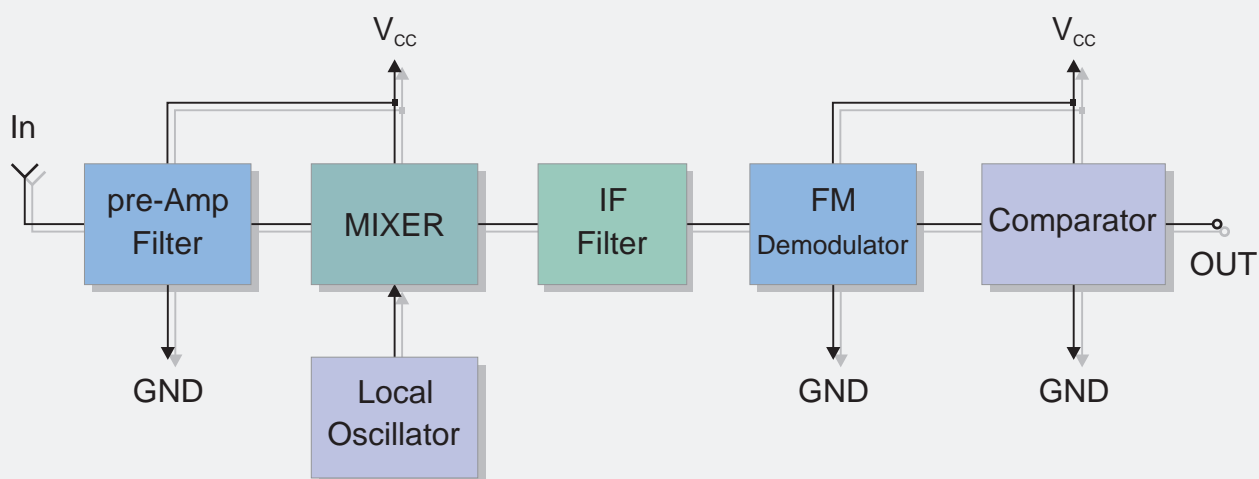
XXX: custom-specified working frequency
(315, 418, 433.92 MHz)

Y: Bit rate specification
A: 2.4Kbps B: 4.8Kbps C: 9.6Kbps

Applications

- Wireless security systems
- Car Alarm systems
- Remote gate controls
- Sensor reporting

BLOCK DIAGRAM



Electrical Characteristics

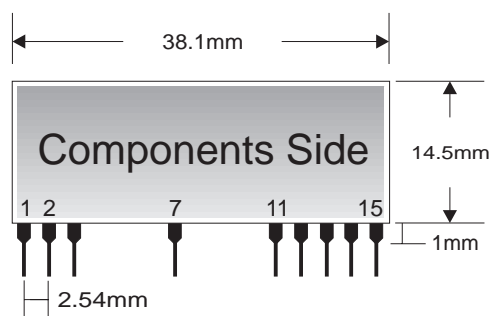
Ta = 25°C unless otherwise specified

CHARACTERISTICS		MIN	TYP	MAX	UNIT
V _{CC}	Supply Voltage	3.5	5	5.5	VDC
I _S	Supply Current		5.5	6	mA
	RF Sensitivity		A version: 2.4 Kbps B version: 4.8 Kbps C version: 9.6 Kbps		dBm
	Frequency Deviation		±25		KHz
B _w	-3dB Bandwidth		±400		KHz
	Level of Emitted Spectrum		-70	-65	dBm
V _{ol}	Low-Level Output Voltage (I=-200uA)			0.6	V
V _{oh}	High-Level Output Voltage (I=10uA)	V _{CC} - 0.5			V
T _{OP}	Operating Temperature Range	-25		+80	°C

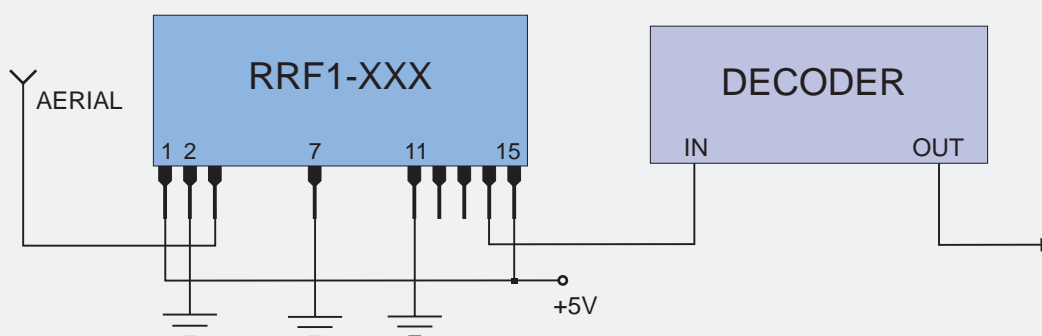
Pin Description

1	V _{CC}	12	NC
2	GND	13	NC
3	IN	14	OUT
7	GND	15	V _{CC}
11	GND		

Mechanical Dimensions

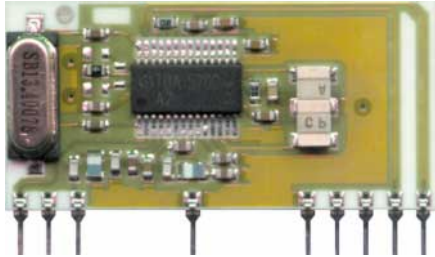


TYPICAL APPLICATION



RRFQ1-XXX

FSK Superhet Receiver with Crystal Oscillator



General description

The RRFQ1-XXX is a FSK superhet data receiver with PLL synthesizer and crystal oscillator.

Receiver Frequency: 315 , 433.9 , 868.35 MHz

IF Frequency: 10.7MHz

Typical sensitivity: -102 dBm

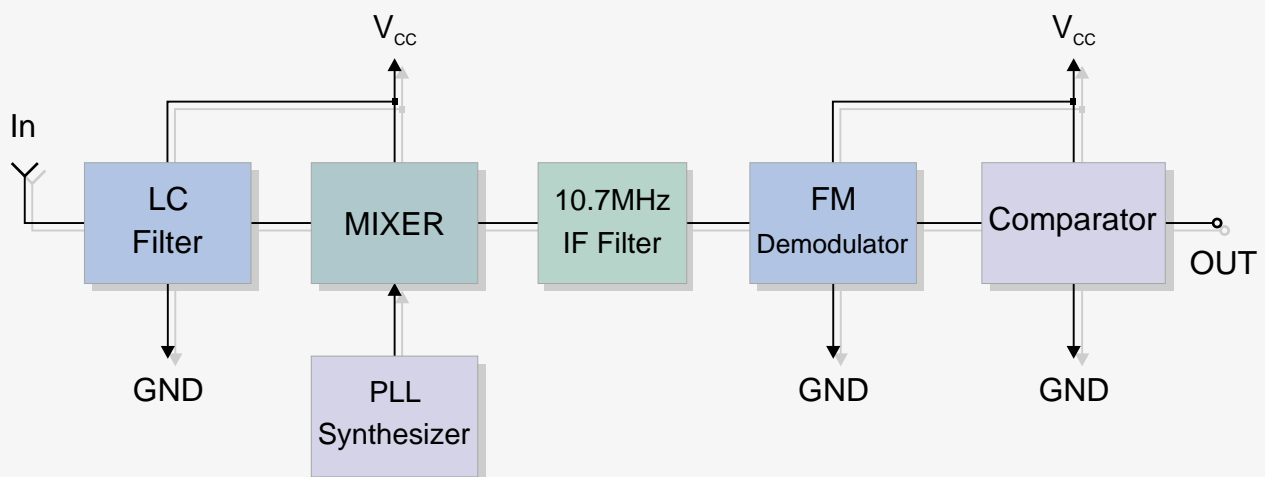
Supply current: 5.7 mA (typ)

XXX: custom-specified working frequency
(315, 433.92, 868.35 MHz)

Applications

- Wireless security systems
- Car Alarm systems
- Remote gate controls
- Sensor reporting

BLOCK DIAGRAM



Electrical Characteristics

Ta = 25°C unless otherwise specified

CHARACTERISTICS		MIN	TYP	MAX	UNIT
V _{CC}	Supply Voltage	4.5	5	5.5	VDC
I _S	Supply Current		5.7	6.8	mA
I _{STANDBY}	Standby Supply Current (PD = Low)			100	nA
F _R	Receiver Frequency		315/433.9/868.35		MHz
	RF Sensitivity		-102 / -102 / -100		dBm
B _w	-3dB Bandwidth		±150		KHz
	Max Data Rate	0.3		4.8	Kbit/s
	Level of Emitted Spectrum			-70	dBm
	Turn on Time (PD → Stable Data)			5	msec
V _{ol}	Low-Level Output Voltage (I=10uA)			0.8	V
V _{oh}	High-Level Output Voltage (I=-200uA)	V _{CC} - 1			V
T _{OP}	Operating Temperature Range	-25		+80	°C

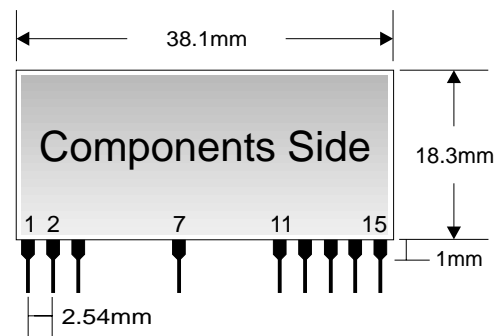
Pin Description

1	V _{CC}	12	NC
2	GND	13	RRSI
3	IN	14	OUT
7	GND	15	PD (Power Down)
11	GND		

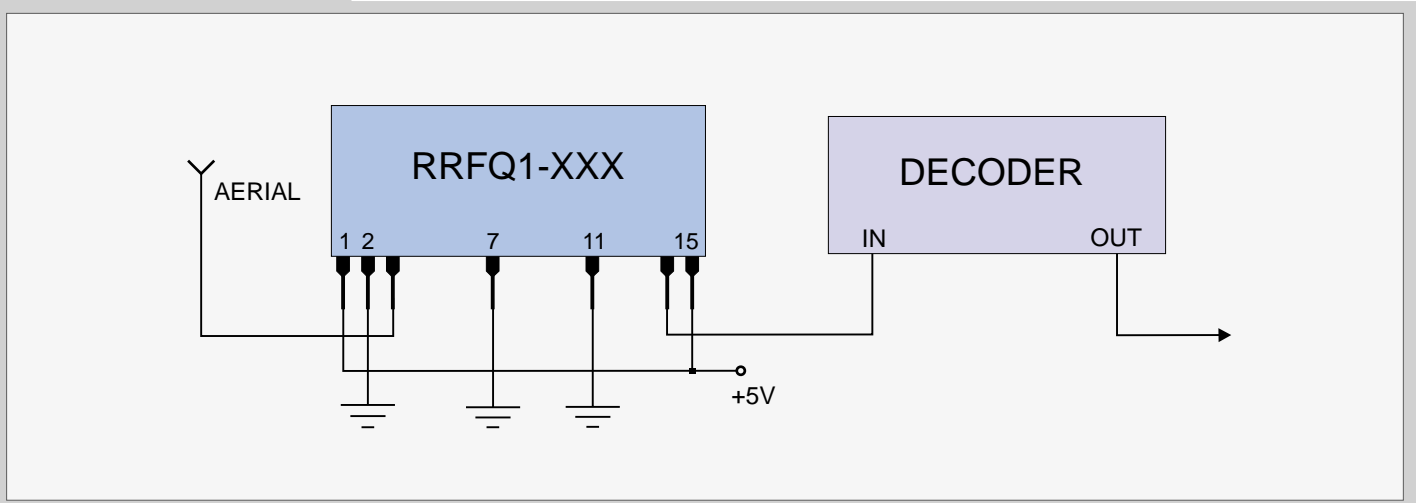
PD = 0V ---> RX OFF (I_{standby} = 100nA max)

PD = 5V ---> RX ON

Mechanical Dimensions



TYPICAL APPLICATION



RT1-XXX

Radio Transmitter Module (Integrated Antenna)



General description

The RT1-XXX is an hybrid circuit that allows to realize a complete radio transmitter adding a coding circuit.

The Frequency accuracy is very high thanks to laser trimming process. PATENTED

It shows stable electric characteristics thanks to the "Thick film hybrid" technology.

XXX : working frequency (418, 433.92 MHz)

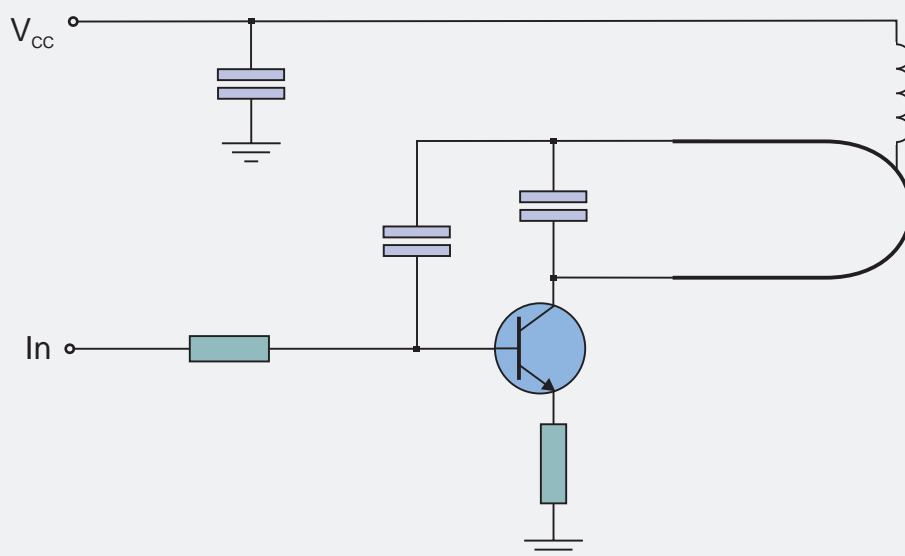
Features

- Integrated Antenna
- High Reliability
- Laser Trimming Process

Applications

- Wireless security systems
- Car Alarm systems
- Remote gate controls
- Sensor reporting

CIRCUIT SCHEMATIC



Electrical Characteristics

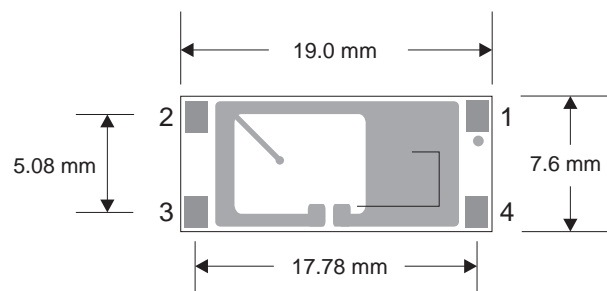
Ta = 25°C unless otherwise specified

CHARACTERISTICS		MIN	TYP	MAX	UNIT
V _{CC}	Supply Voltage	9		14	VDC
I _S	Supply Current		3		mA
F _W	Working Frequency		418/433.92		MHz
	Tuning Tolerance		±0.2	±0.5	MHz
	Max Data Rate			4	KHz
T _{OP}	Operating Temperature Range	-25		+80	°C

Pin Description

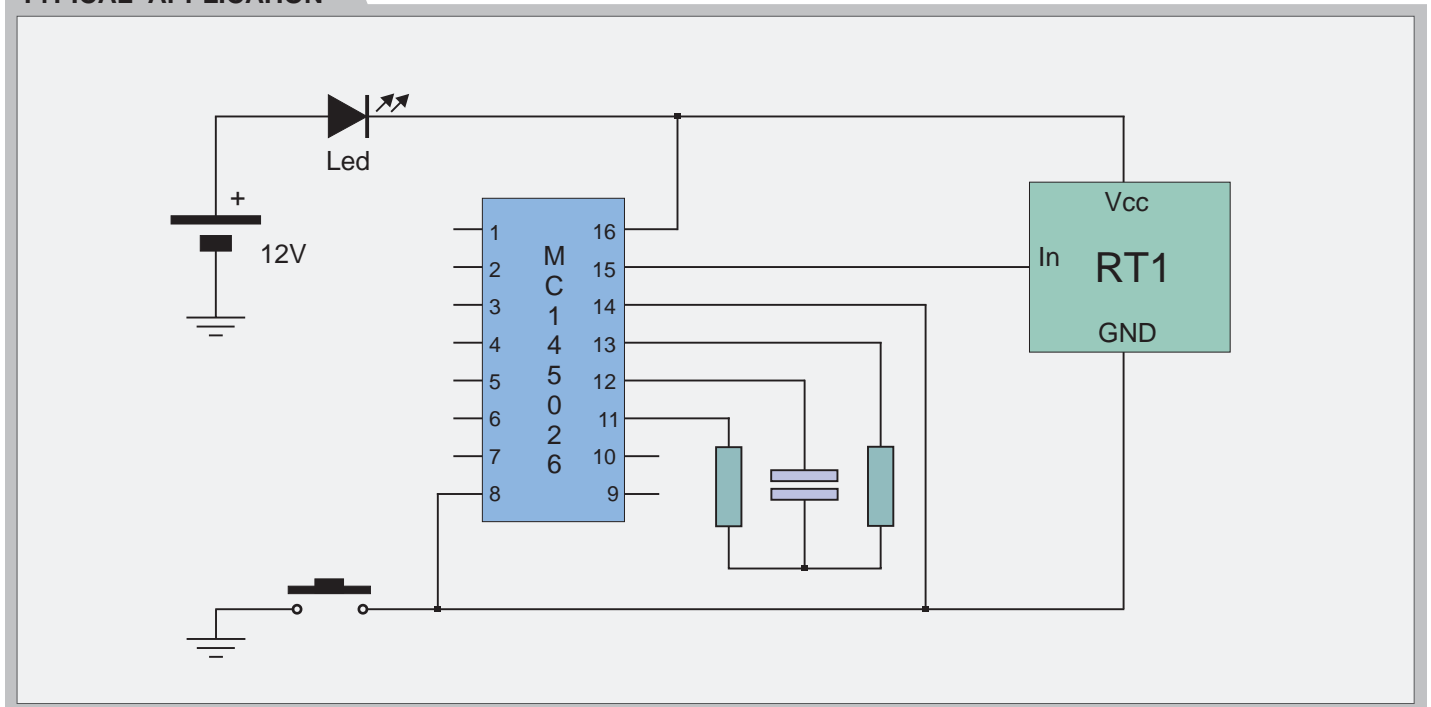
1	GND	Ground
2	IN	Modulation Input
3	NC	Not Connected
4	V _{CC}	Supply Voltage

Mechanical Dimensions



TOP VIEW

TYPICAL APPLICATION



RT2-XXX

Radio Transmitter Module with SAW Resonator
(Integrated Antenna)



General description

The RT2-XXX is an hybrid circuit that allows to realize a complete radio transmitter adding a coding circuit.

It shows stable electric characteristics thanks to the "Thick film hybrid" technology.

XXX : working frequency (418, 433.92 MHz)

I-ETS 300 220 Compliance (RT2-433.92)

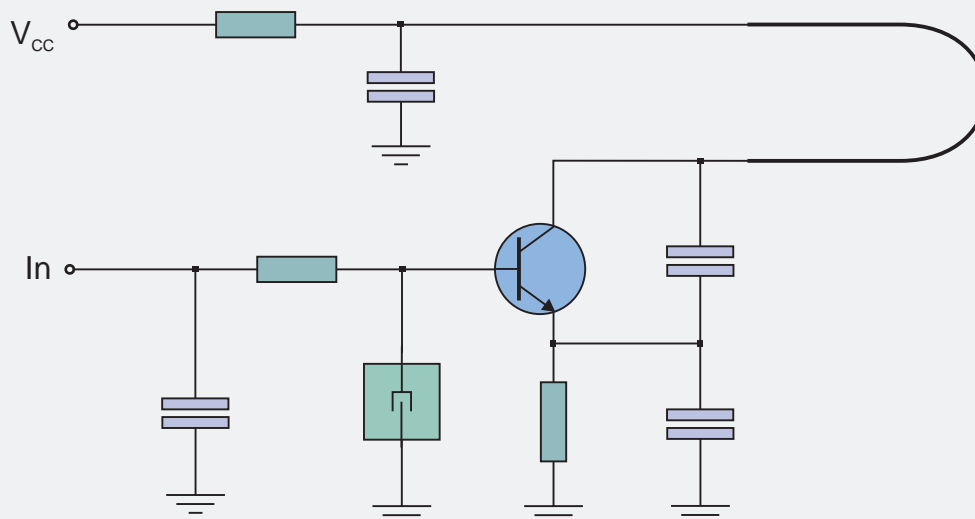
Features

- Integrated Antenna
- High Reliability
- DIL Package

Applications

- Wireless security systems
- Car Alarm systems
- Remote gate controls
- Sensor reporting

CIRCUIT SCHEMATIC



Electrical Characteristics

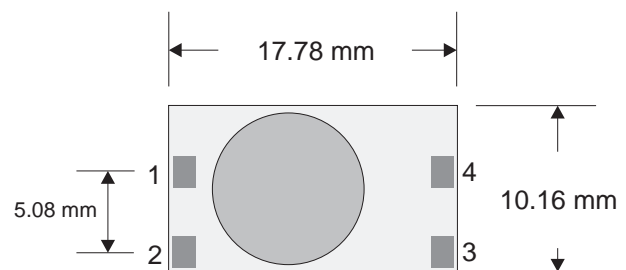
Ta = 25°C unless otherwise specified

CHARACTERISTICS		MIN	TYP	MAX	UNIT
V _{CC}	Supply Voltage	4		14	VDC
I _S	Supply Current		3		mA
F _W	Working Frequency		418/433.92		MHz
	Max Data Rate			4	KHz
T _{OP}	Operating Temperature Range	-40		+80	°C

Pin Description

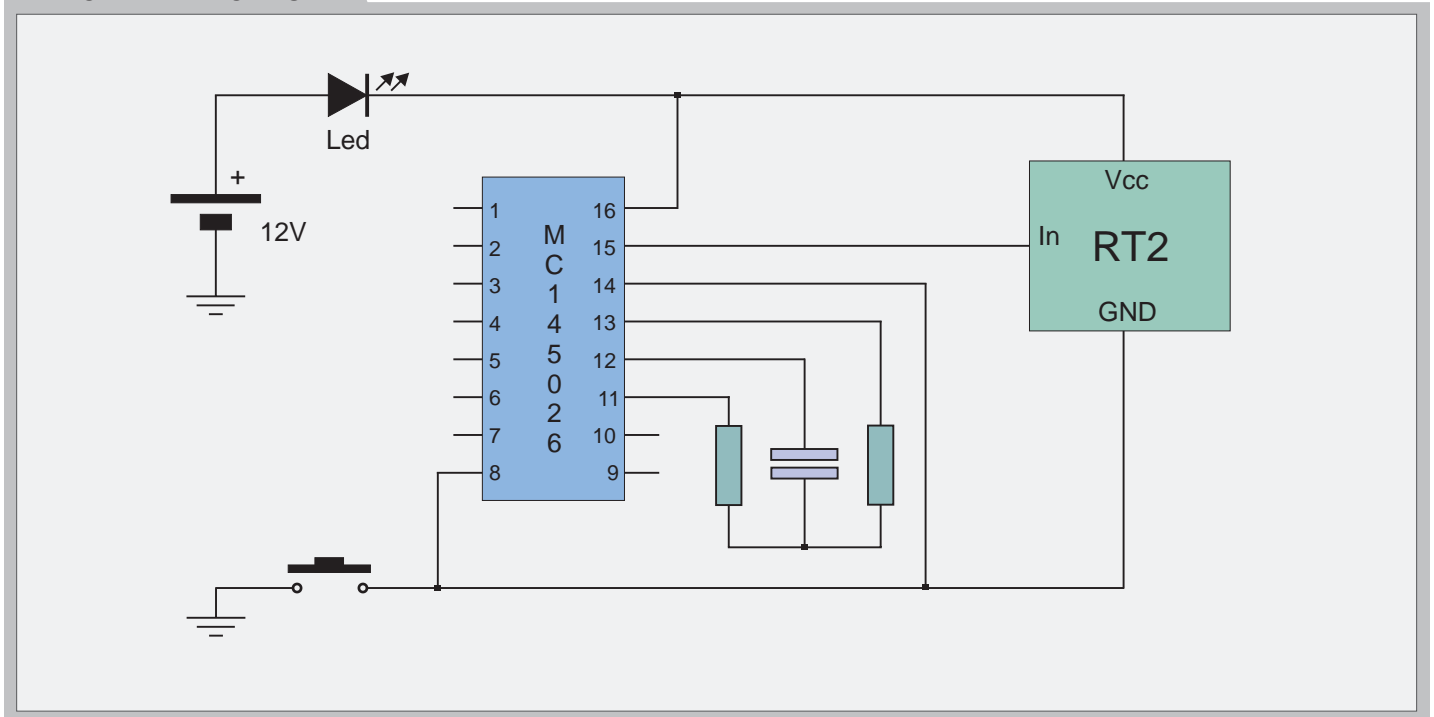
1	V _{CC}	Supply Voltage
2	GND	Ground
3	IN	Modulation Input
4	NC	Not Connected

Mechanical Dimensions



TOP VIEW

TYPICAL APPLICATION



RT4-XXX

Radio Transmitter Module with SAW Resonator and External Antenna



General description

The RT4-XXX is an hybrid circuit that allows to realize a complete radio transmitter adding a coding circuit.

It shows stable electric characteristics thanks to the "Thick film hybrid" technology.

XXX : working frequency (315, 418, 433.92 MHz)

I-ETS 300 220 Compliance (RT4-433.92-IETS)

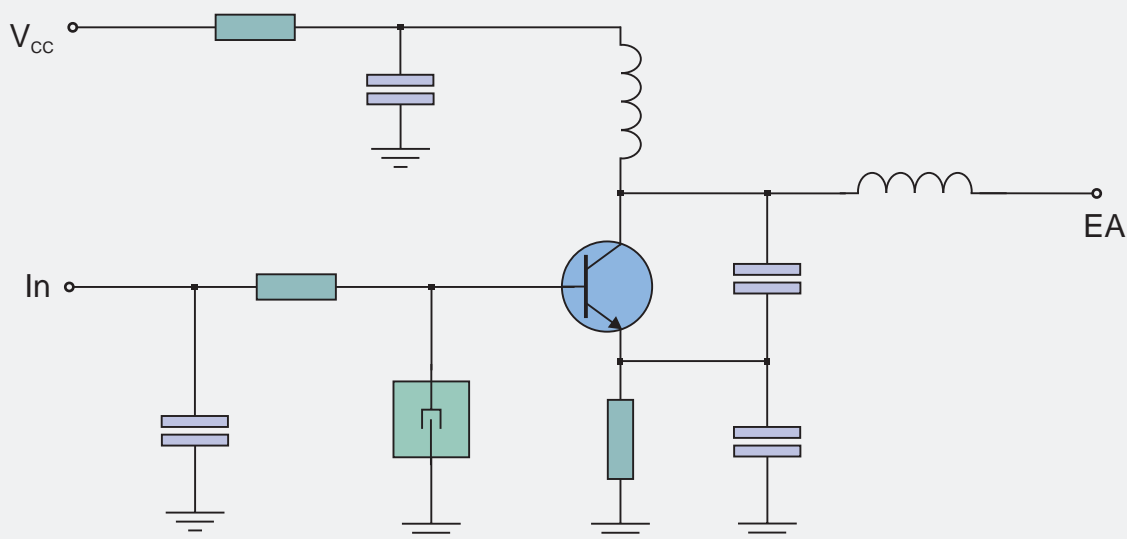
Features

- High Reliability
- DIL Package

Applications

- Wireless security systems
- Car Alarm systems
- Remote gate controls
- Sensor reporting

CIRCUIT SCHEMATIC



Electrical Characteristics

Ta = 25°C unless otherwise specified

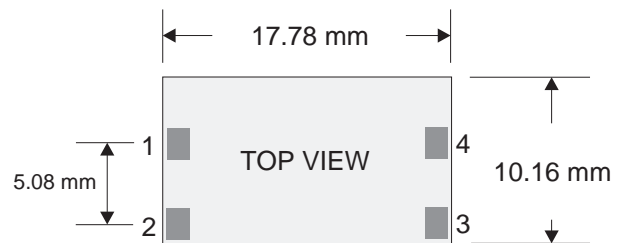
CHARACTERISTICS		MIN	TYP	MAX	UNIT
V _{CC}	Supply Voltage	2		14	VDC
I _S	Supply Current (V _{CC} =5V IN=1KHz Square Wave)		4		mA
F _W	Working Frequency	303.8		433.92	MHz
P _O	RF Output Power into 50Ω (Vi=5V, V _{CC} =12V)		7	10	dBm
	Harmonic Spurious Emission		-30		dBc
V _{IH}	Input High Voltage	2		V _{CC}	V
	Max Data Rate			4	KHz
T _{OP}	Operating Temperature Range	-25		+80	°C

Typically, equipment utilizing this device requires emissions testing and government approval, which is the responsibility of the equipment manufacturer.

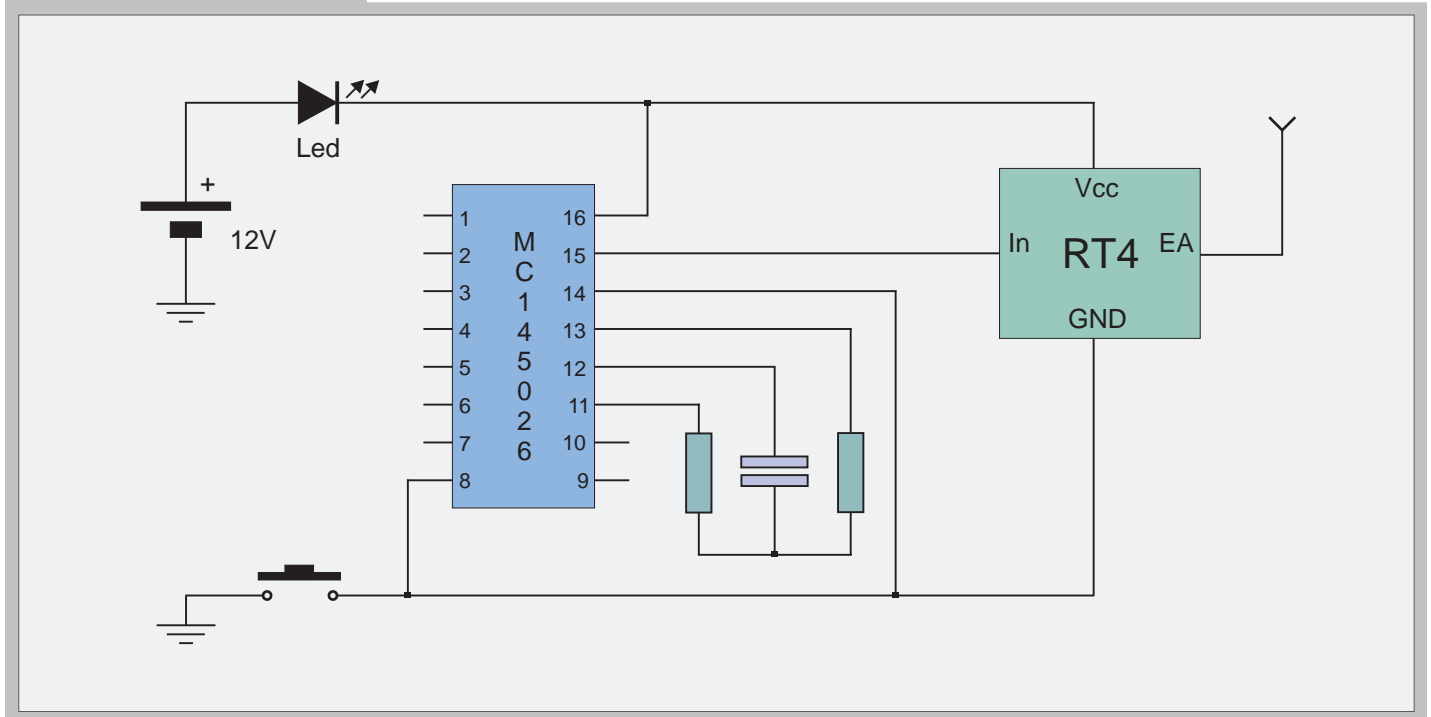
Pin Description

1	V _{CC}	Supply Voltage
2	GND	Ground
3	IN	Modulation Input
4	EA	External Antenna

Mechanical Dimensions



TYPICAL APPLICATION



RT5-XXX

Radio Transmitter Module with SAW Resonator and External Antenna



General description

The RT5-XXX is a hybrid circuit that allows to realize a complete radio transmitter adding a coding circuit.

It shows stable electric characteristics thanks to the "Thick film hybrid" technology.

XXX : working frequency (315, 418, 433.92 MHz)

I-ETS 300 220 Compliance (RT4-433.92-IETS)

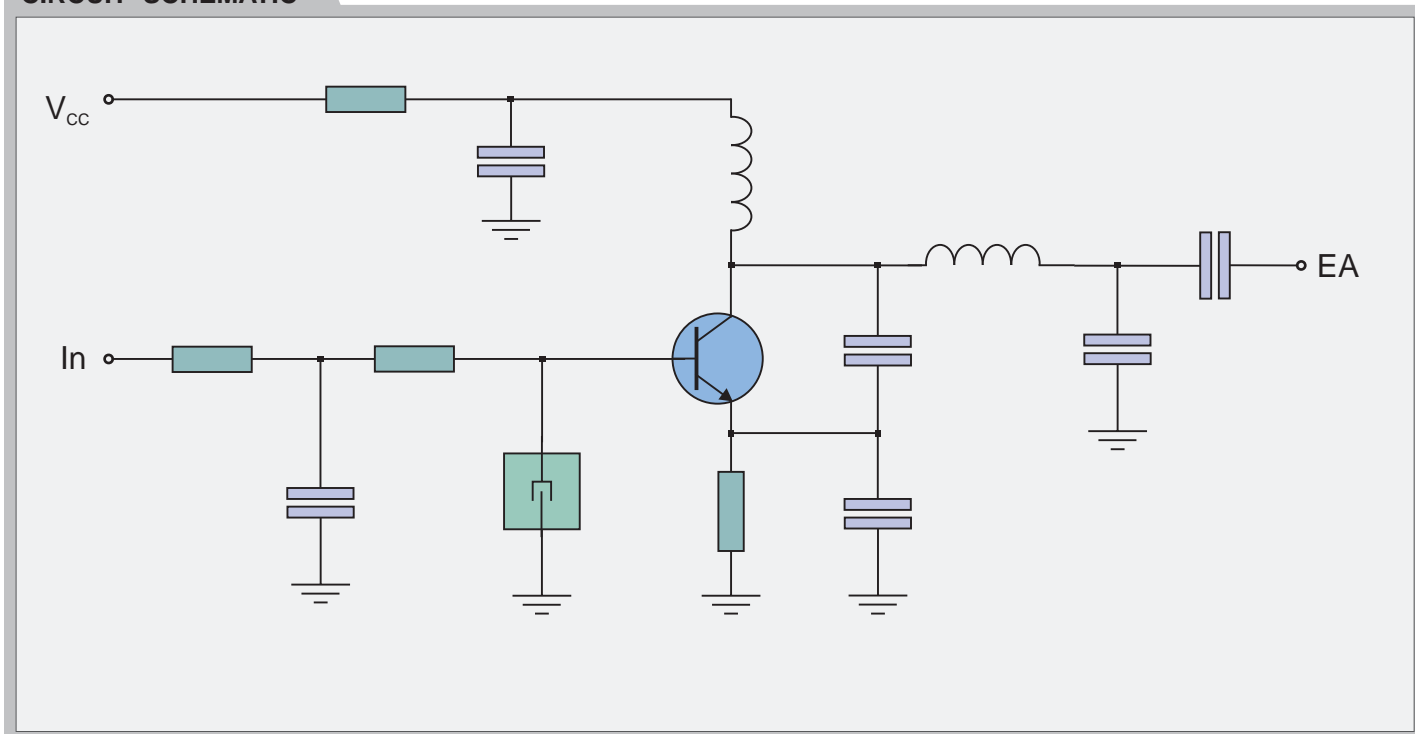
Features

- High Reliability
- SIL Package

Applications

- Wireless security systems
- Car Alarm systems
- Remote gate controls
- Sensor reporting

CIRCUIT SCHEMATIC



Electrical Characteristics

Ta = 25°C unless otherwise specified

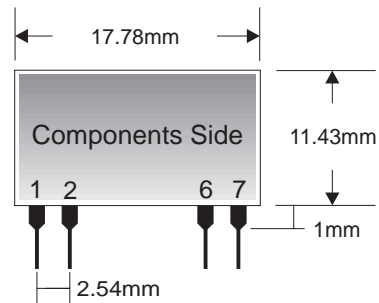
CHARACTERISTICS		MIN	TYP	MAX	UNIT
V _{CC}	Supply Voltage	2		14	VDC
I _S	Supply Current (V _{CC} =5V IN=1KHz Square Wave)		3		mA
F _W	Working Frequency	303.8		433.92	MHz
P _O	RF Output Power into 50Ω (Vi=5V, Vcc=12V)		7	10	dBm
	Harmonic Spurious Emission		-35		dBc
V _{IH}	Input High Voltage	2		V _{CC}	V
	Max Data Rate			4	KHz
T _{OP}	Operating Temperature Range	-25		+80	°C

Typically, equipment utilizing this device requires emissions testing and government approval, which is the responsibility of the equipment manufacturer.

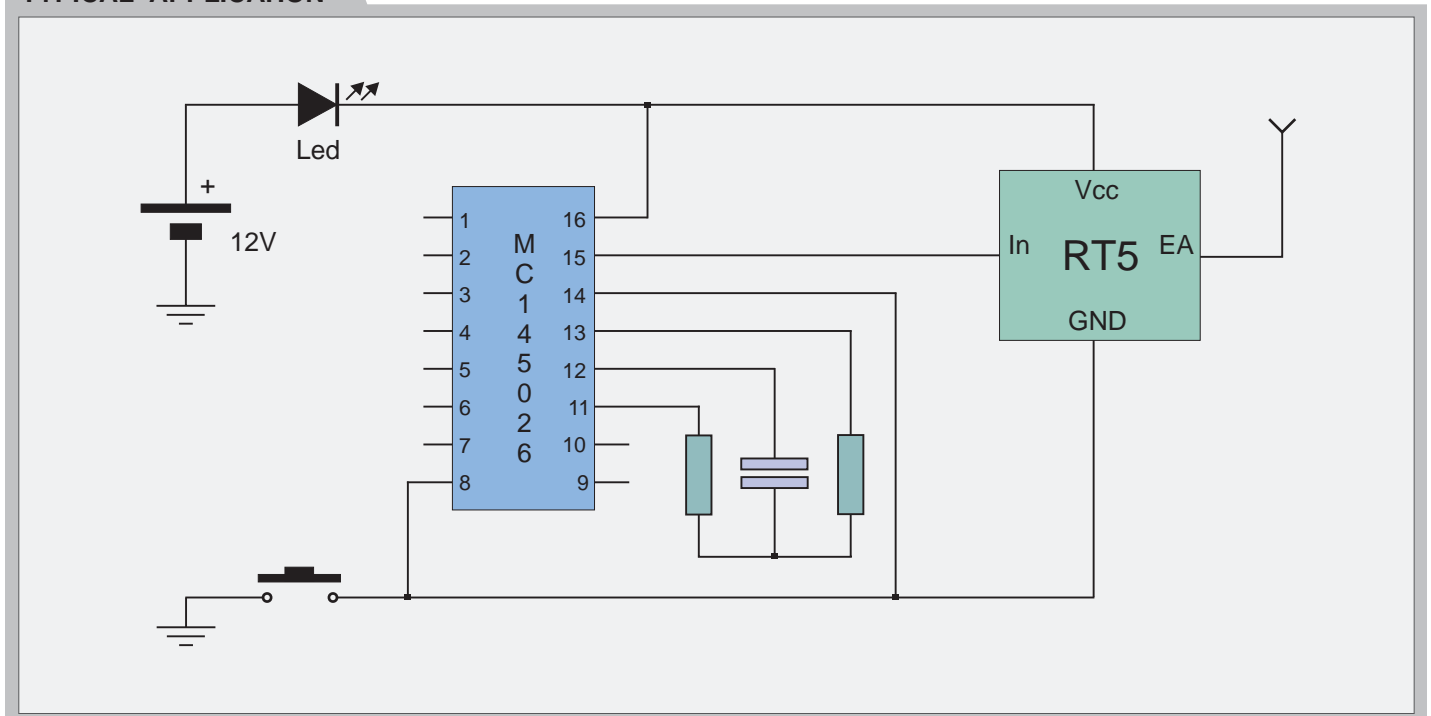
Pin Description

1	EA	External Antenna
2	IN	Modulation Input
6	GND	Ground
7	VCC	Supply Voltage

Mechanical Dimensions

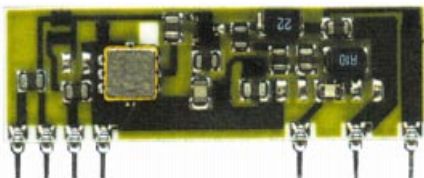


TYPICAL APPLICATION



RT6-XXX

Radio Transmitter Module with SAW Resonator and External Antenna



General description

The RT6-XXX is a hybrid circuit that allows to realize a complete radio transmitter adding a coding circuit.

It shows stable electric characteristics thanks to the "Thick film hybrid" technology.

XXX : working frequency (315, 418, 433.92 MHz)

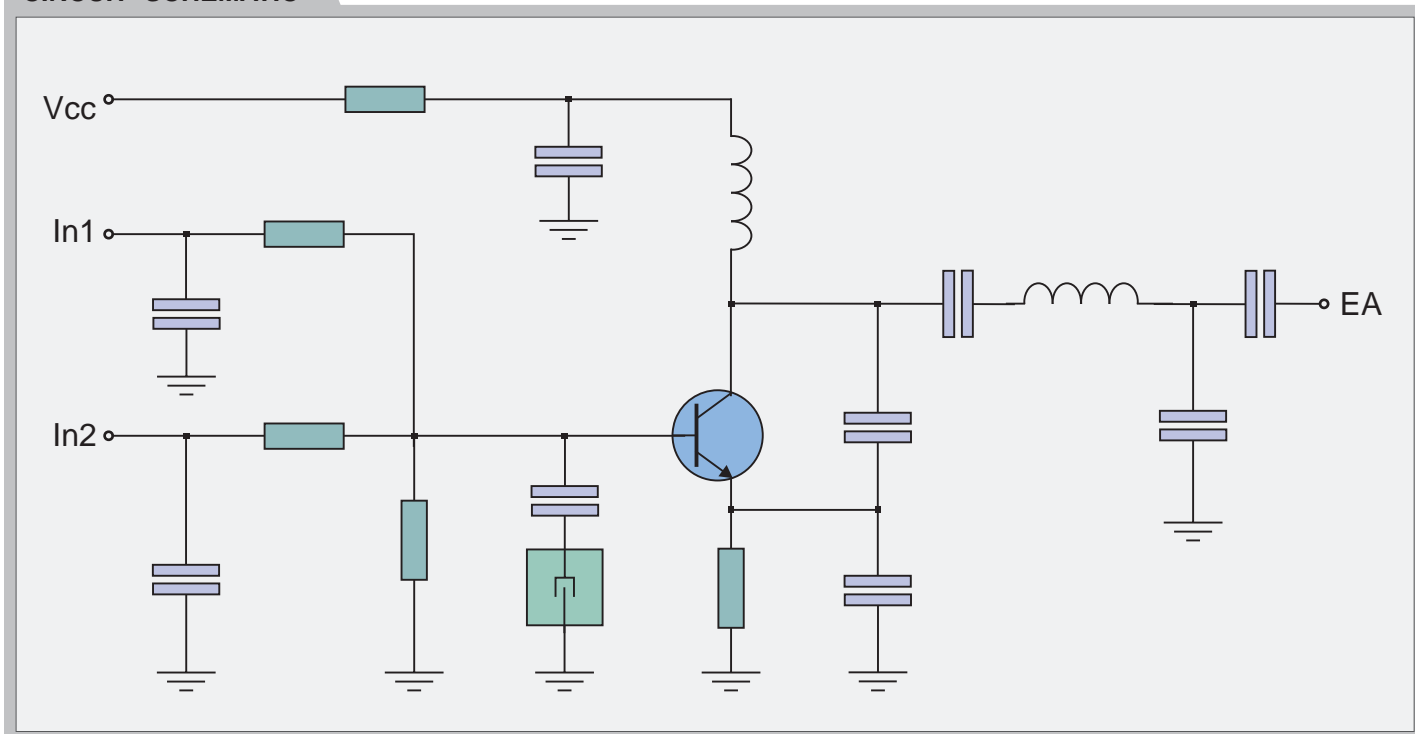
Features

- High Reliability
- SIL Package

Applications

- Wireless security systems
- Car Alarm systems
- Remote gate controls
- Sensor reporting

CIRCUIT SCHEMATIC



Electrical Characteristics

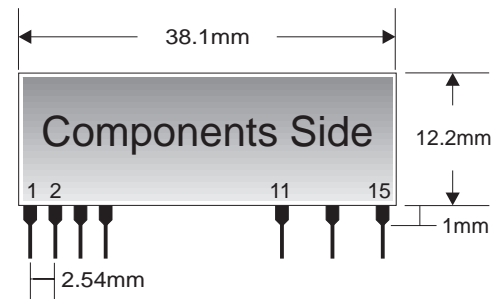
Ta = 25°C unless otherwise specified

CHARACTERISTICS		MIN	TYP	MAX	UNIT
V _{CC}	Supply Voltage	2.7		14	VDC
I _S	Supply Current (IN=1KHz Square Wawe)		See Table		mA
F _W	Working Frequency	303.8		433.92	MHz
P _O	RF Output Power into 50Ω		See Table		dBm
	Harmonic Spurious Emission		-50		dBc
V _{IH}	Input High Voltage	2.5		V _{CC}	V
	Max Data Rate			4	KHz
T _{OP}	Operating Temperature Range	-25		+80	°C

RF Output Power

V _{CC} (V)	IN1	IN2	P _O (dBm)	I _S (mA)
3 ÷ 5	0 ÷ V _{CC}	NC	3 ÷ 8	3 ÷ 7
5 ÷ 8	NC	0 ÷ 5	7 ÷ 10	3 ÷ 4
8 ÷ 12	0 ÷ 5	NC	12 ÷ 15	7 ÷ 9

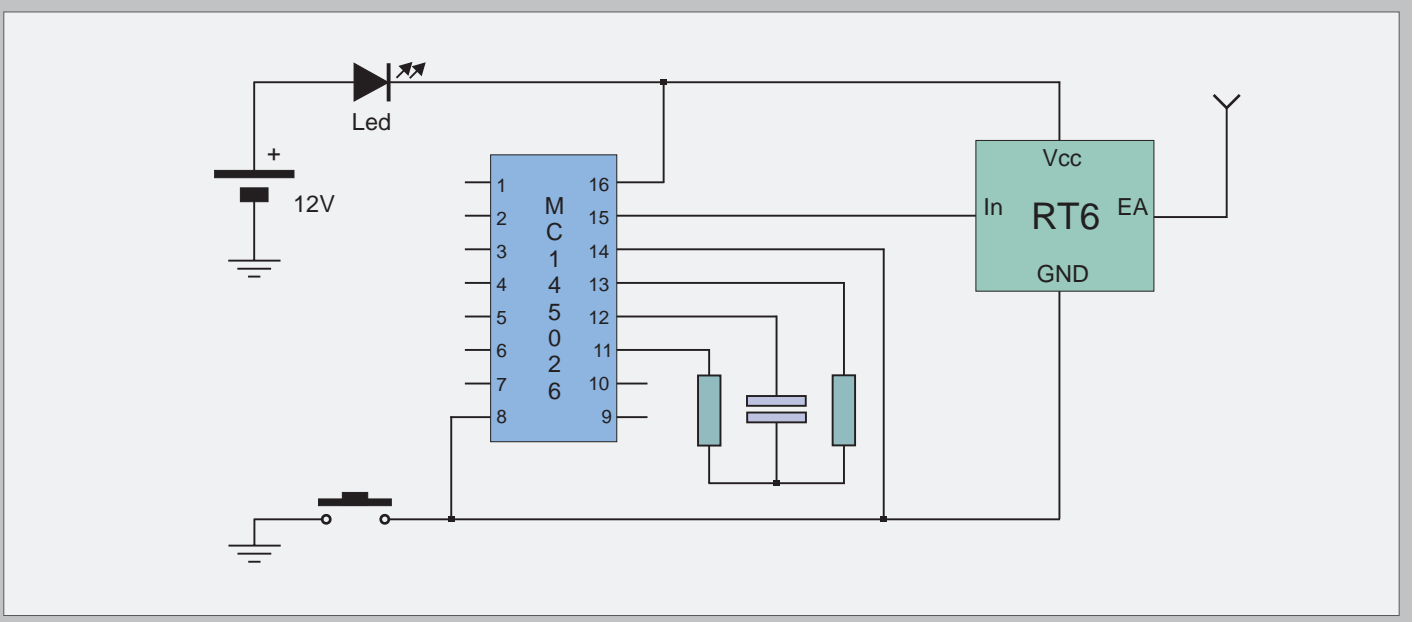
Mechanical Dimensions



Pin description

1 GND	4 GND	15 Vcc
2 IN1	11 EA	
3 IN2	13 GND	

TYPICAL APPLICATION



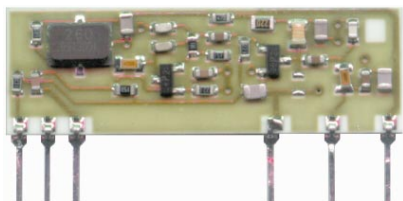
RT8-868.35

868.350 MHz Radio Transmitter Module with SAW Resonator and External Antenna

General description

The RT8 is a SAW stabilized ASK (OOK) transmitter. For a better stability and modulation it employs a two transistor design: an oscillator and a separate power amplifier.

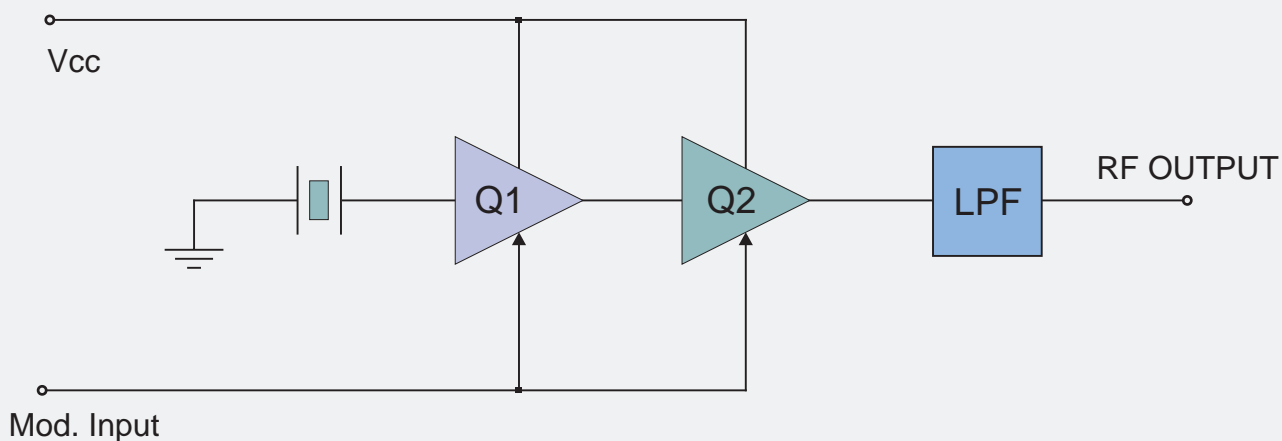
The RT8 is provided by a low-pass filter to attenuate the harmonic emissions.



Applications

- Wireless security systems
- Car Alarm systems
- Remote gate controls
- Sensor reporting

CIRCUIT SCHEMATIC



Electrical Characteristics

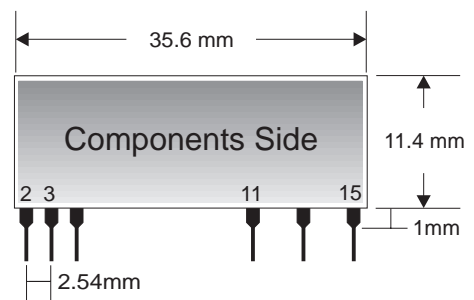
Ta = 25°C unless otherwise specified

CHARACTERISTICS		MIN	TYP	MAX	UNIT
V _{CC}	Supply Voltage	4.0		13	VDC
I _{CC}	Supply Current (V _{CC} =5V IN=1KHz Square Wave)		12		mA
F _W	Working Frequency		868.350		MHz
	Overall Frequency Accuracy	868.200		868.500	MHz
P _O	RF Output Power into 50Ω (V _{CC} =5V)		7	10	dBm
	Harmonic Spurious Emission		-35		dBc
	Max Data Rate			9.6	Kbps
T _{OP}	Operating Temperature Range	-25		+80	°C

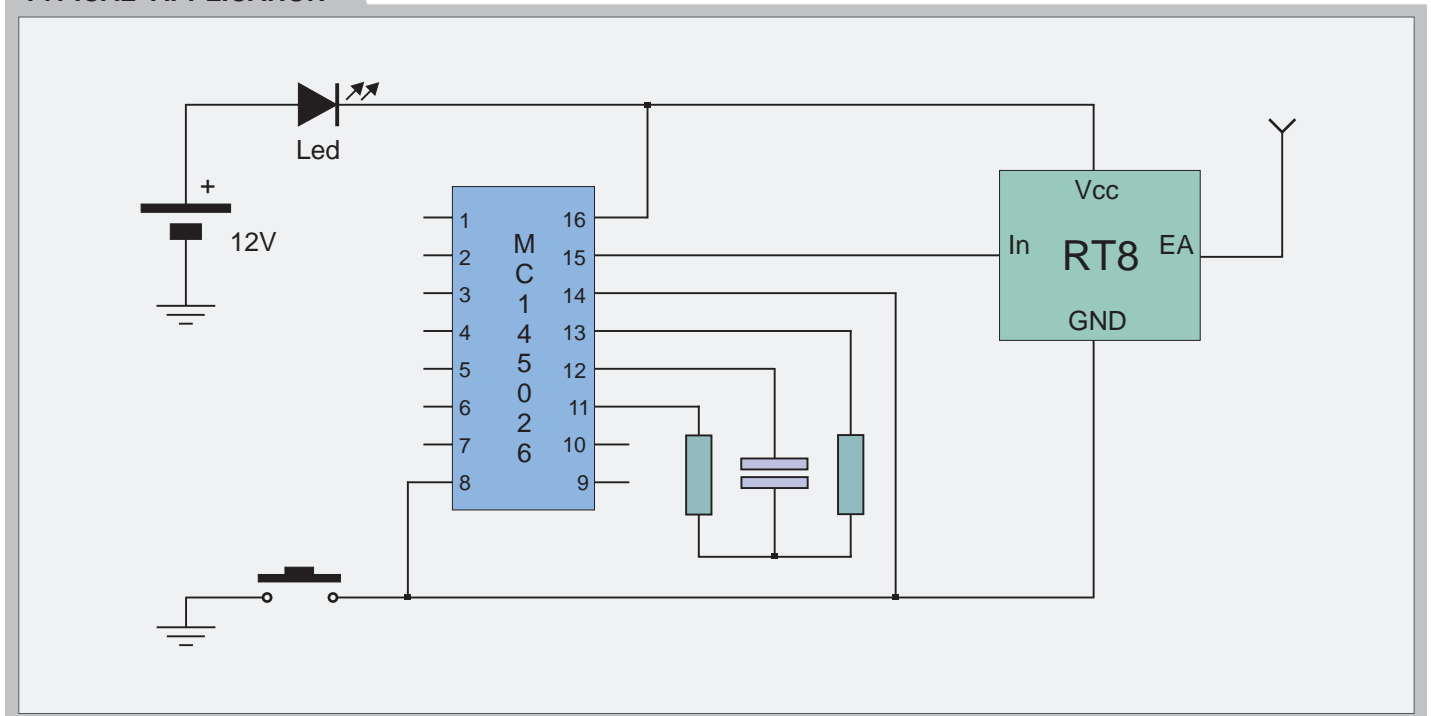
Pin description

2	Mod. Input	11	GND
3	NC	13	RF Output
4	GND	15	V _{CC}

Mechanical Dimensions



TYPICAL APPLICATION



RTQ1-XXX

Radio Transmitter Module with crystal oscillator and External Antenna



General description

The RTQ1-XXX is an hybrid circuit that allows to realize a complete radio transmitter adding a coding circuit.

It shows stable electric characteristics thanks to the "Thick film hybrid" technology.

XXX : working frequency (315, 433.92, 868.35 MHz)

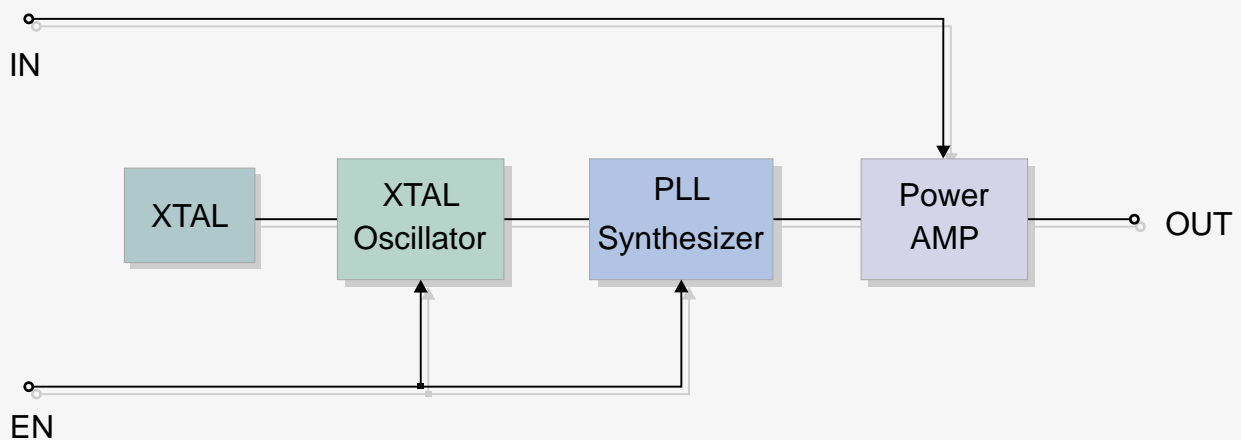
Features

- High Reliability
- DIL Package

Applications

- Wireless security systems
- Car Alarm systems
- Remote gate controls
- Sensor reporting

BLOCK DIAGRAM



Electrical Characteristics

Ta = 25°C unless otherwise specified

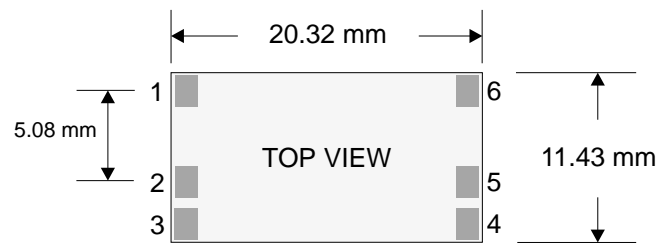
CHARACTERISTICS		MIN	TYP	MAX	UNIT
V _{CC}	Supply Voltage	2.2	3.3	4	VDC
I _S	Operating Supply Current		7	8	mA
I _{STANDBY}	Standby Supply Current (IN = EN = Low)			100	nA
F _W	Working Frequency		315/433.9/868.35		MHz
P _O	RF Output Power into 50Ω (V _{CC} = 3.3V)		+5 / +5 / +1		dBm
	Harmonic Spurious Emission		-40		dBc
V _{IH}	Input High Voltage	1.5		V _{CC}	V
	Max Data Rate			9.6	Kbps
	Power-Up Time (EN → full RF)			1	msec
T _{OP}	Operating Temperature Range	-25		+80	°C

EN	IN	STATE
L	L	Power Down Mode
H	H / L	Transmit Mode

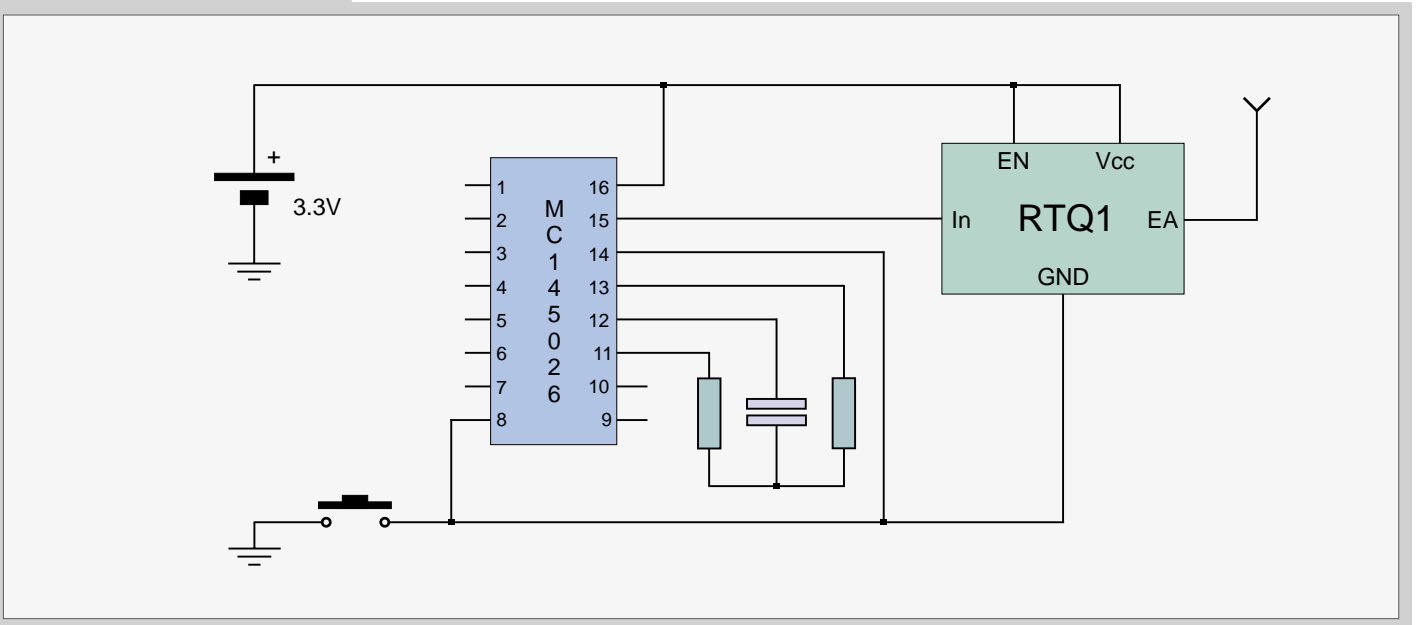
Pin Description

1	EN	Enable	4	V _{CC}	Supply Voltage
2	IN	Data In	5	GND	Ground
3	GND	Ground	6	EA	External Antenna

Mechanical Dimensions

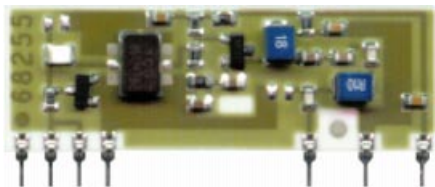


TYPICAL APPLICATION



RTF2-XXX

FSK Radio Transmitter Module with SAW Resonator and External Antenna



General description

The RTF2-XXX is a hybrid circuit that allows to realize a complete FSK radio transmitter adding a coding circuit.

It shows stable electric characteristics thanks to the "Thick film hybrid" technology.

Up to 250 meters range with RRF1-XXX receiver.

XXX: custom-specified working frequency (315, 418, 433.92 MHz)

Features

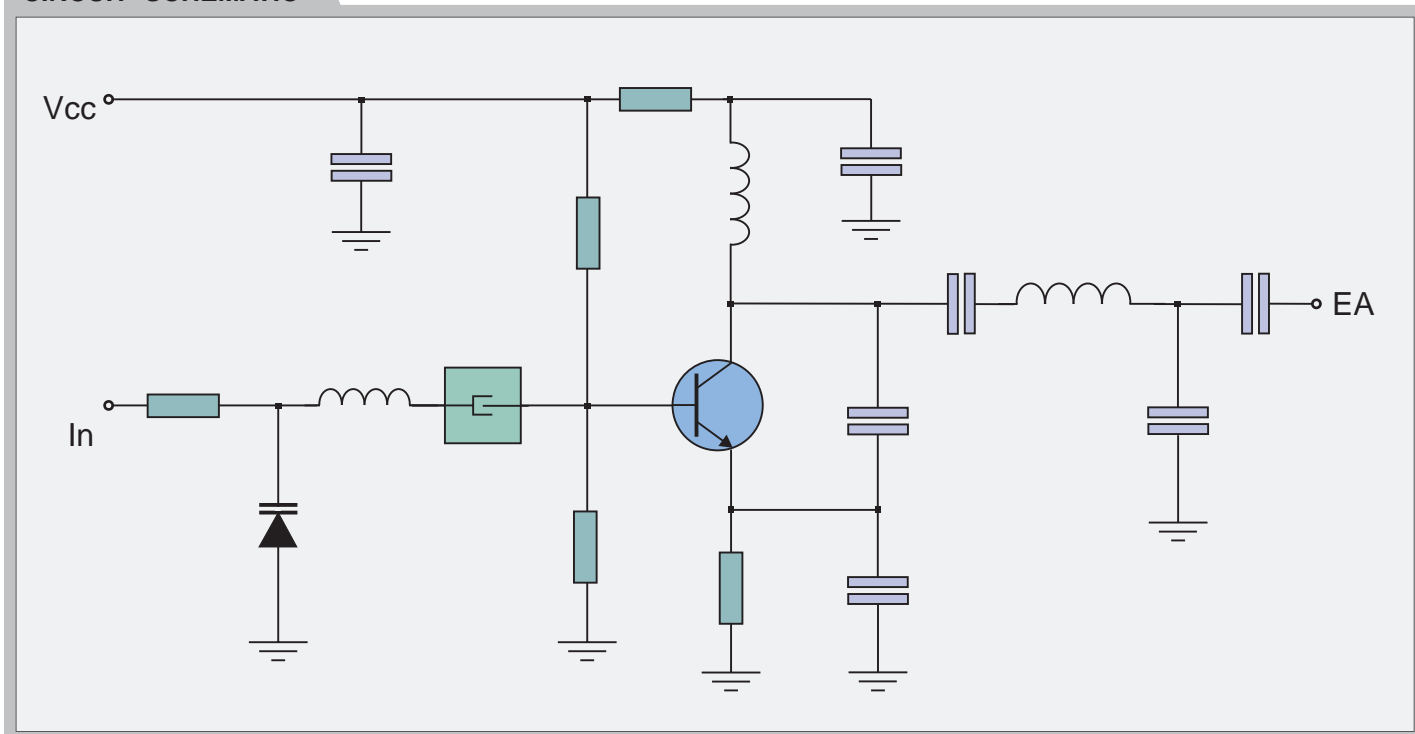
- High Reliability
- SIL Package

I-ETS 300-220 Compliance

Applications

- Wireless security systems
- Car Alarm systems
- Remote gate controls
- Sensor reporting

CIRCUIT SCHEMATIC



Electrical Characteristics

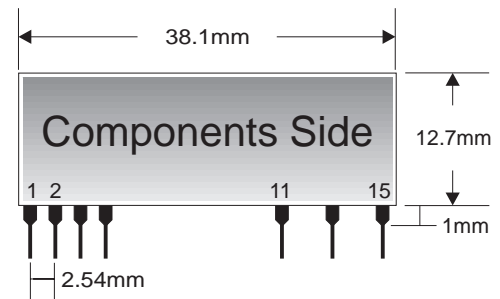
Ta = 25°C unless otherwise specified

CHARACTERISTICS		MIN	TYP	MAX	UNIT
V _{CC}	Supply Voltage	2.7		14	VDC
I _S	Supply Current		15		mA
ΔF	Frequency Deviation		50		KHz
P _O	RF Output Power into 50Ω		+7		dBm
	Harmonic Spurious Emission		-50		dBc
V _{IH}	Input High Voltage	2.5		V _{CC}	V
	Max Data Rate			9.6	Kbps
T _{OP}	Operating Temperature Range	-25		+80	°C

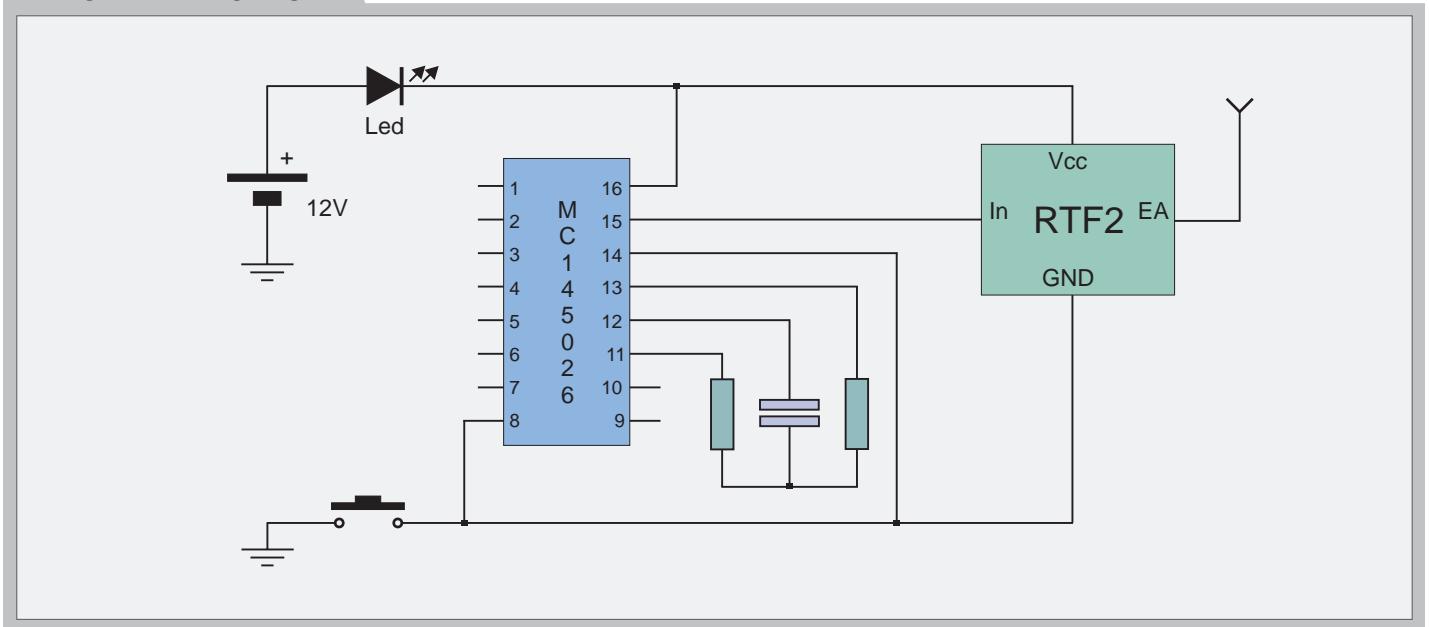
Pin description

- 1 GND
- 2 IN
- 3 IN
- 4 GND
- 11 EA
- 13 GND
- 15 Vcc

Mechanical Dimensions



TYPICAL APPLICATION



RTFQ1-XXX

FSK Radio Transmitter with Crystal Oscillator and External Antenna

General description

The RTFQ1-XXX is an hybrid circuit that allows to realize a complete radio transmitter adding a coding circuit.

It shows stable electric characteristics thanks to the "Thick film hybrid" technology.

XXX : working frequency (315, 433.92, 868.35 MHz)



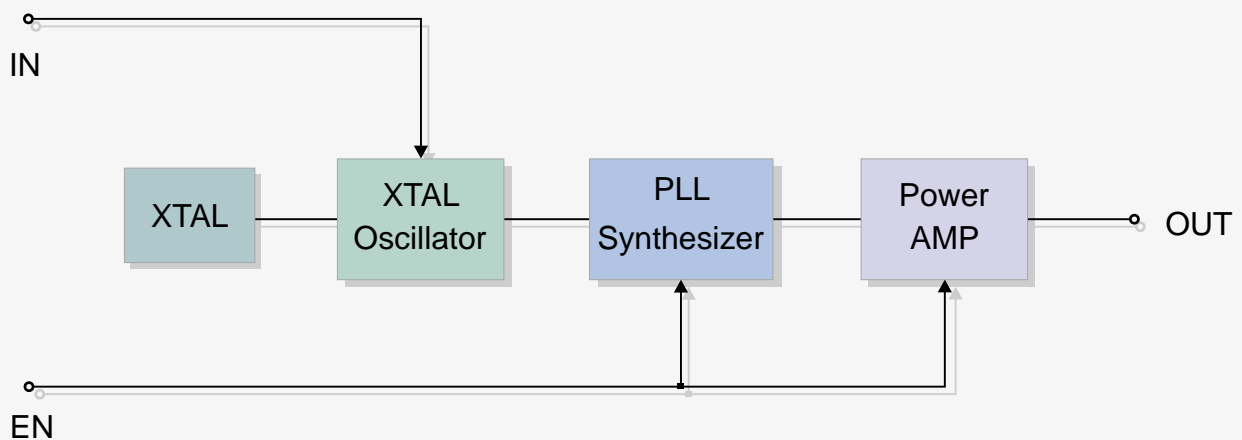
Features

- High Reliability
- DIL Package

Applications

- Wireless security systems
- Car Alarm systems
- Remote gate controls
- Sensor reporting

BLOCK DIAGRAM



Electrical Characteristics

Ta = 25°C unless otherwise specified

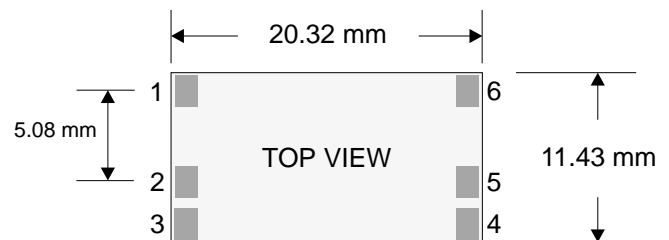
CHARACTERISTICS		MIN	TYP	MAX	UNIT
V _{CC}	Supply Voltage	2.2	3.3	4	VDC
I _S	Operating Supply Current		7	8	mA
I _{STANDBY}	Standby Supply Current (IN = EN = Low)			100	nA
F _W	Working Frequency		315/433.9/868.35		MHz
P _O	RF Output Power into 50Ω (V _{CC} = 3.3V)		+5 / +5 / +1		dBm
	Initial Frequency Accuracy	-35	0	+35	KHz
	FM Deviation (+/-)	25	30	35	KHz
	Harmonic Spurious Emission		-40		dBc
V _{IH}	Input High Voltage	1.5		V _{CC}	V
	Max Data Rate			9.6	Kbps
	Power-Up Time (EN → full RF)			1	msec
T _{OP}	Operating Temperature Range	-25		+80	°C

EN	IN	STATE
L	L	Power Down Mode
H	H / L	Transmit Mode

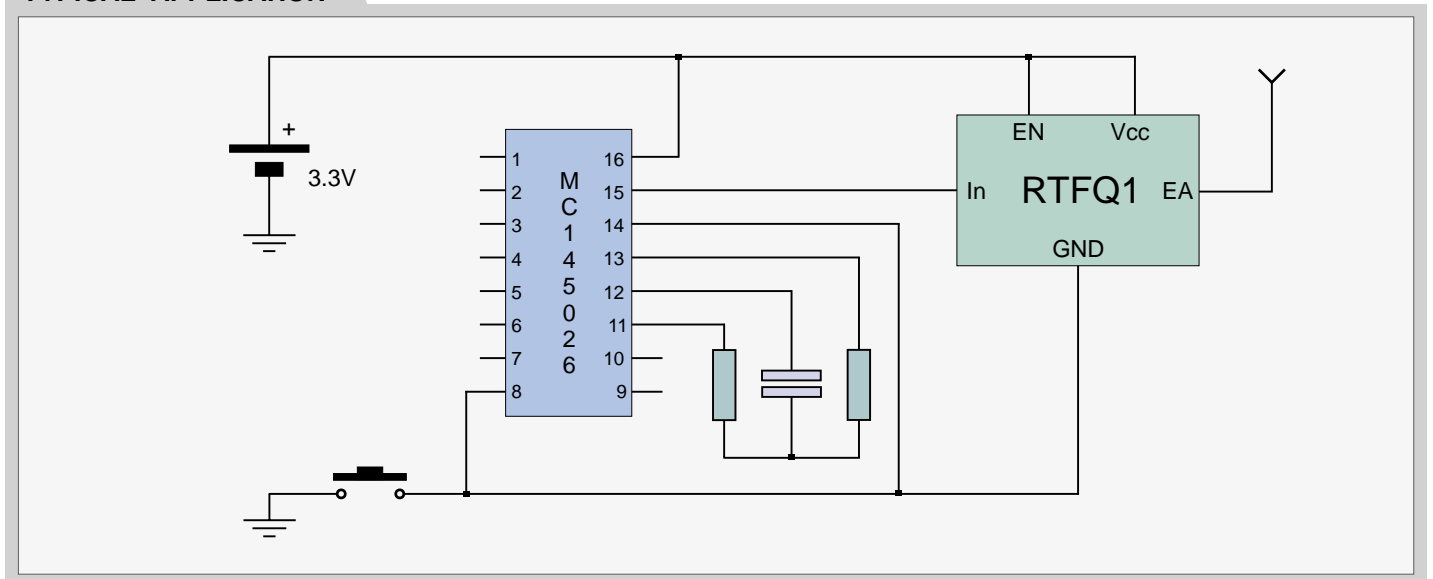
Pin Description

1	EN	Enable	4	V _{CC}	Supply Voltage
2	IN	Data In	5	GND	Ground
3	GND	Ground	6	EA	External Antenna

Mechanical Dimensions



TYPICAL APPLICATION



UTR1

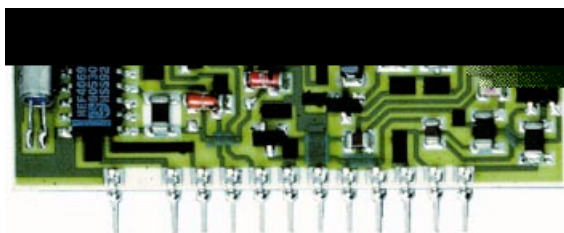
Ultrasonic Transmitter / Receiver

General description

The UTR1 is an hybrid circuit that allows to realize an ultrasonic detector adding few external components.

Detection is based on amplitude variation of received ultrasonic signal (40KHz) due to the movement of an object.

It shows stable electric characteristics thanks to the "Thick film hybrid" technology.

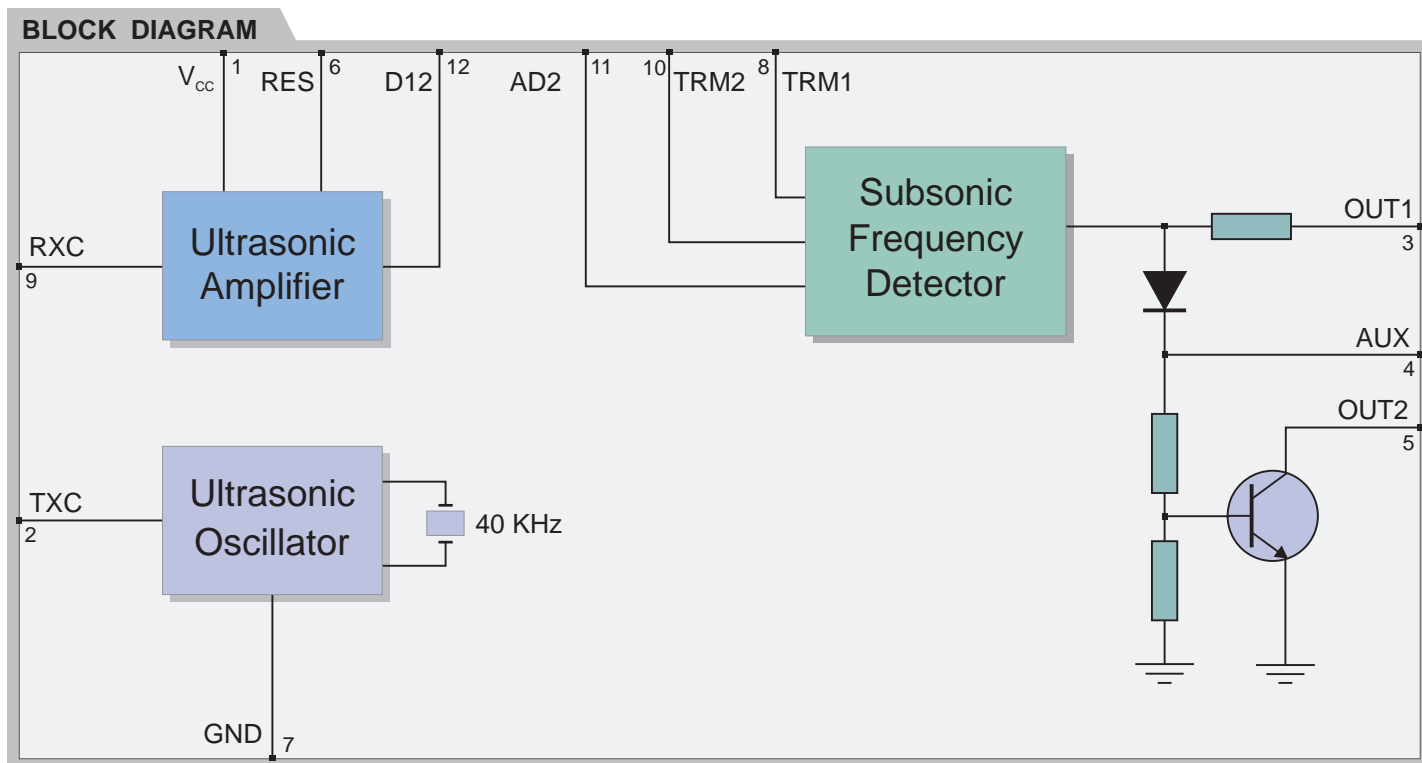


Features

- High RFI Immunity
- SIL Package

Applications

- Car Alarm systems
- Residential and commercial security systems
- Automatic doors opening systems



Electrical Characteristics

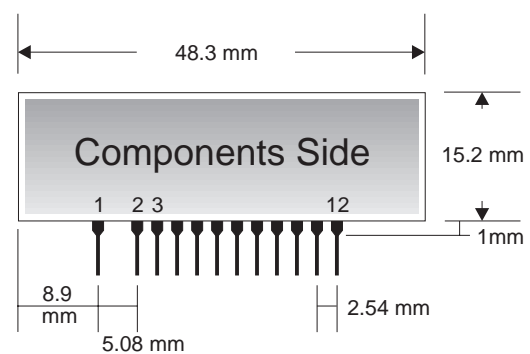
Ta = 25°C unless otherwise specified

CHARACTERISTICS		MIN	TYP	MAX	UNIT
V _{CC}	Supply Voltage	9	12	16	VDC
I _S	Supply Current		9		mA
G	Ultrasonic Amplifier Gain		50		dB
F _U	Ultrasonic Frequency	38	40	42	KHz
I _o	Out2 Sink Current			100	mA
T _{OP}	Operating Temperature Range	-20		+80	°C

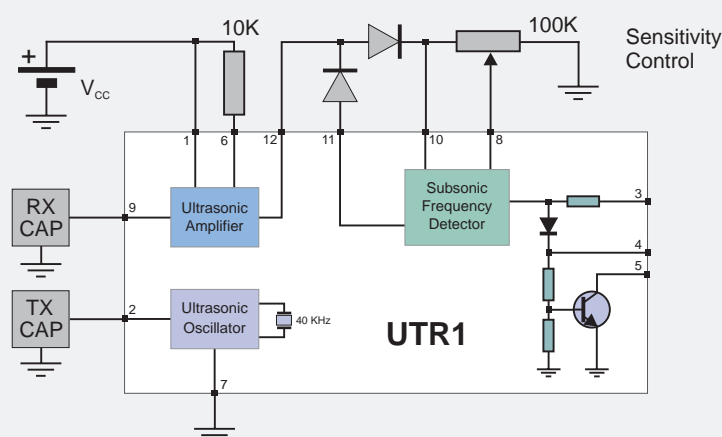
Pin Description

1	V _{CC}	Supply Voltage
2	TXC	Ultrasonic Piezoceramic Transmitter Output (TXCAP)
3	OUT1	Output Signal (OUT = "HIGH" if objet is moving)
4	AUX	Auxiliary Output Signal
5	OUT2	Open Collector Output
6	RES	Pull-up Resistor Input
7	GND	Ground
8	TRM1	External Trimmer
9	RXC	Ultrasonic Piezoceramic Receiver input (RXCAP)
10	TRM2	External Trimmer
11	AD2	External Diode Anode
12	D12	External Diodes Common Point

Mechanical Dimensions



TYPICAL APPLICATION



TX CAP : MA40S3S Murata

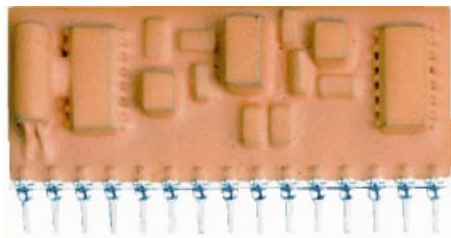
RX CAP : MA40S3R Murata

D1 -D2 : Germanium Diode

Component typical values

UTR2

Ultrasonic Transmitter / Receiver



General description

The UTR2 is a hybrid circuit that allows to realize an ultrasonic detector adding few external components.

Detection is based on amplitude variation of received ultrasonic signal (40KHz) due to the movement of an object.

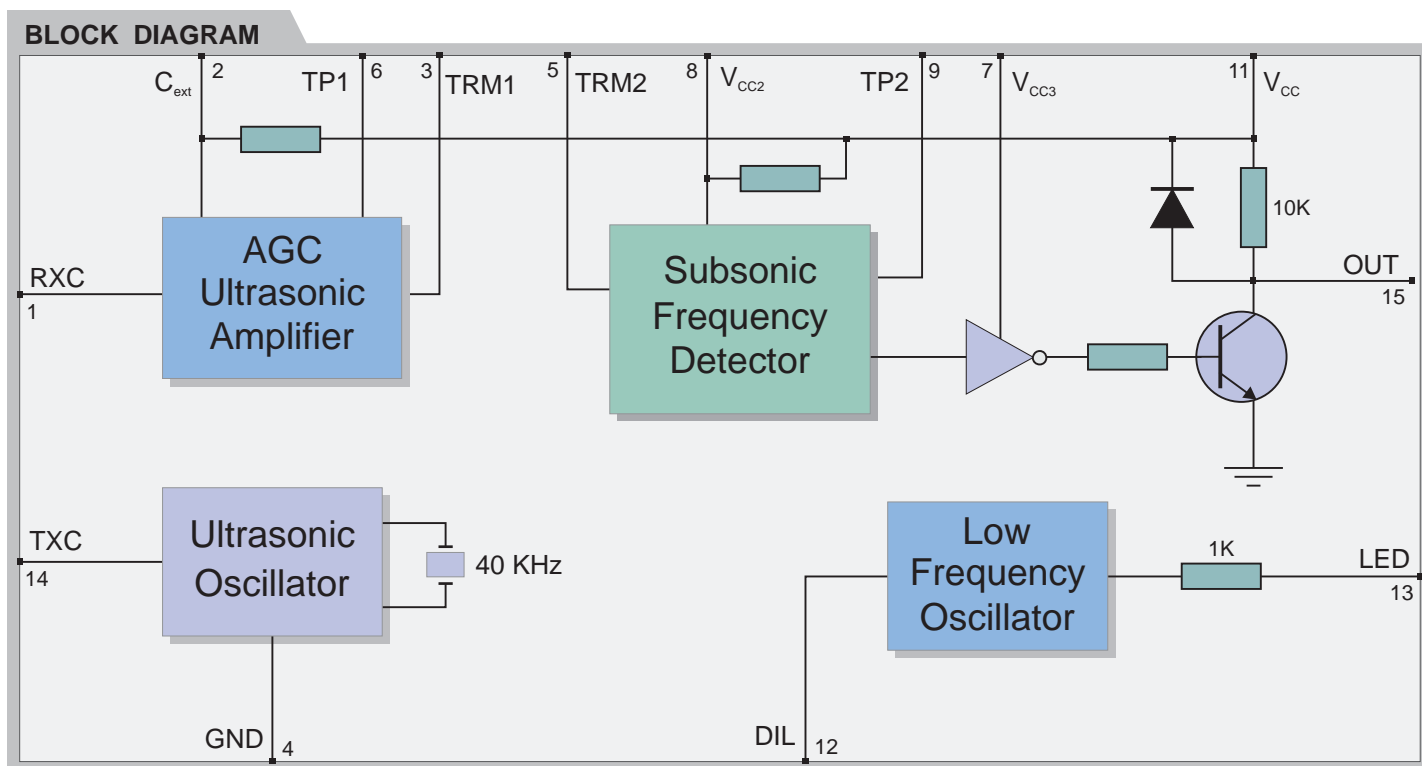
It shows stable electric characteristics thanks to the "Thick film hybrid" technology.

Features

- AC Input Amplifier with Automatic Gain Control
- Output Relay Driving with Ricirculation Diode

Applications

- Car Alarm systems
- Residential and commercial security systems
- Automatic doors opening systems



Electrical Characteristics

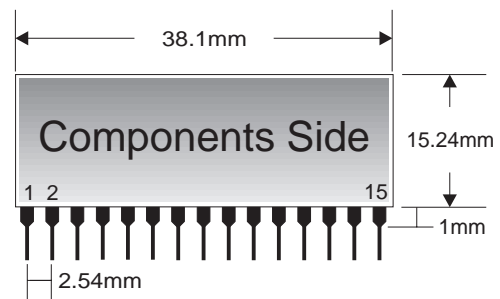
Ta = 25°C unless otherwise specified

CHARACTERISTICS		MIN	TYP	MAX	UNIT
V _{CC}	Supply Voltage	9	12	16	VDC
I _S	Supply Current		15		mA
G	Ultrasonic Amplifier Gain		50		dB
F _U	Ultrasonic Frequency	38	40	42	KHz
I _o	Out2 Sink Current			20	mA
T _{OP}	Operating Temperature Range	-20		+80	°C

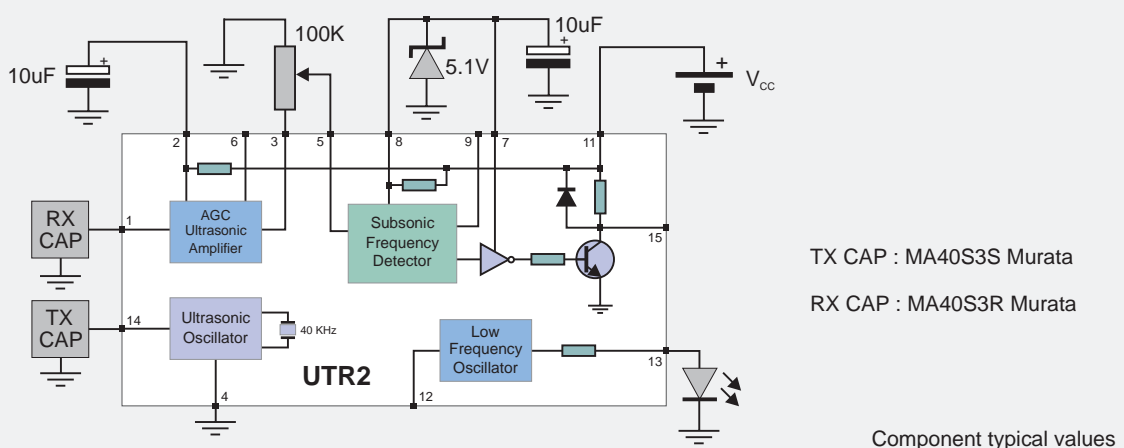
Pin Description

1	RXC	Ultrasonic Piezoceramic Receiver Input (RXCAP)
2	Cext	Supply Voltage External Capacitor
3	TRM1	External Trimmer
4	GND	Ground
5	TRM2	External Trimmer
6	TP1	Test Point
7	VCC3	Supply Voltage of output stage
8	VCC2	Supply Voltage of internal stage
9	TP2	Test Point
10	INS	Internal signal: not to be connect
11	VCC	External Supply Voltage
12	DIL	Disable signal LED control: active Low
13	LED	LED control signal
14	TXC	Ultrasonic Piezoceramic Transmitter Output (TXCAP)
15	OUT	OUT="LOW" if Objet is moving

Mechanical Dimensions

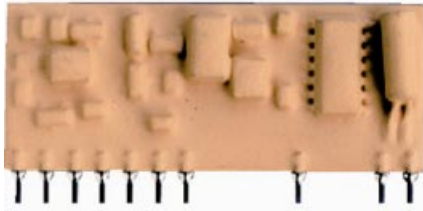


TYPICAL APPLICATION



UTR3

Ultrasonic Transmitter / Receiver



General description

The UTR3 is an hybrid circuit that allows to realize an ultrasonic detector adding few external components.

Detection is based on amplitude variation of received ultrasonic signal (40KHz) due to the movement of an object.

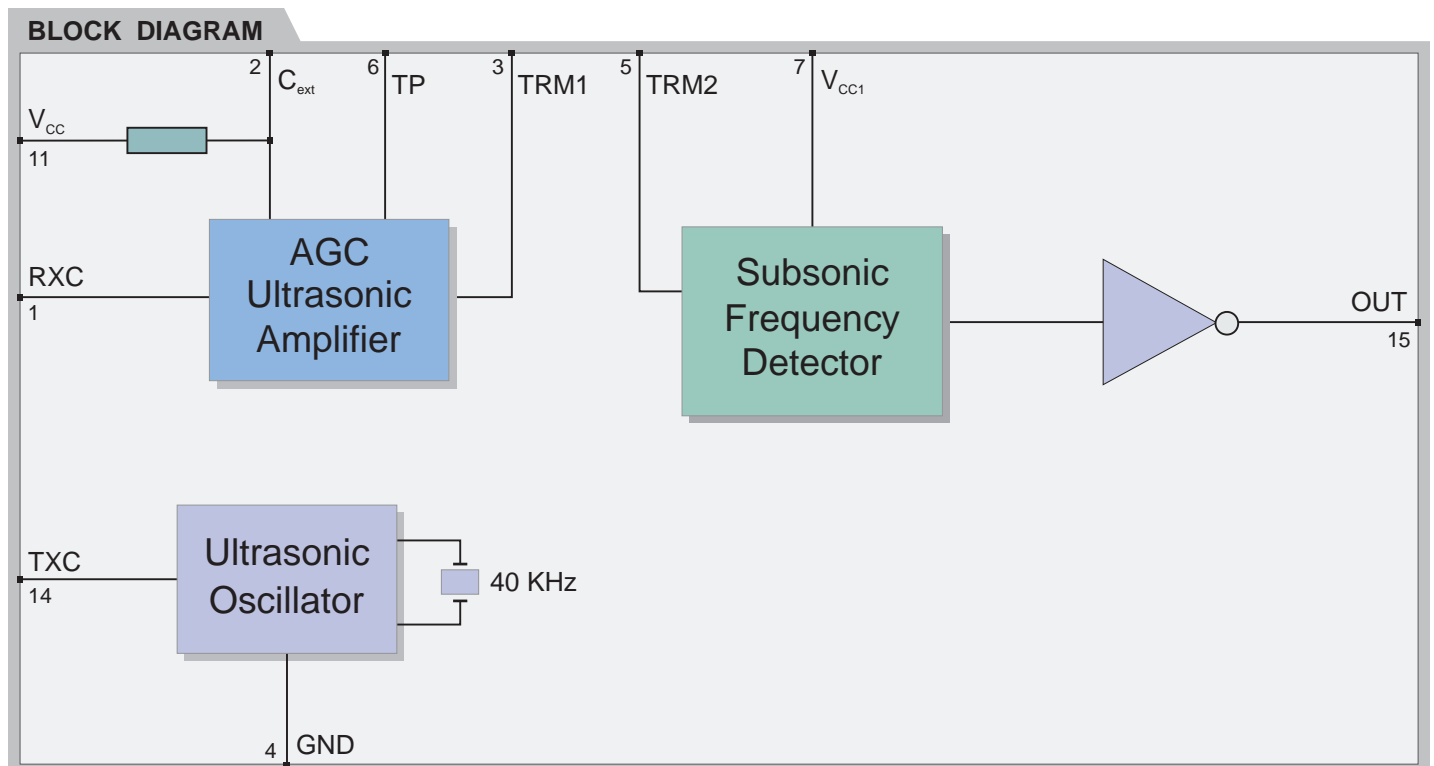
It shows stable electric characteristics thanks to the "Thick film hybrid" technology.

Features

- AC Input Amplifier with Automatic Gain Control

Applications

- Car Alarm systems
- Residential and commercial security systems
- Automatic doors opening systems



Electrical Characteristics

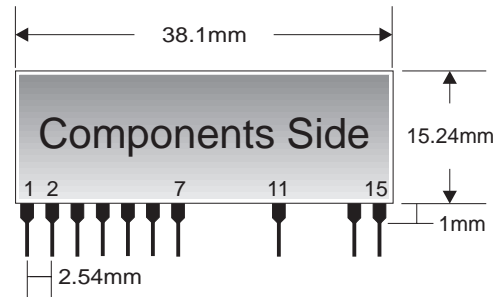
Ta = 25°C unless otherwise specified

CHARACTERISTICS		MIN	TYP	MAX	UNIT
V _{CC}	Supply Voltage	9	12	16	VDC
V _{CC1}	Supply Voltage	4.5	5	5.5	VDC
I _S	Supply Current		10		mA
G	Ultrasonic Amplifier Gain		50		dB
F _U	Ultrasonic Frequency	38	40	42	KHz
I _{OL}	Out Sink Current (Vo = 0.4V)	0.5	1		mA
I _{OH}	Out Source Current (Vo = 4.6V)	0.5	1		mA
T _{OP}	Operating Temperature Range	-20		+80	°C

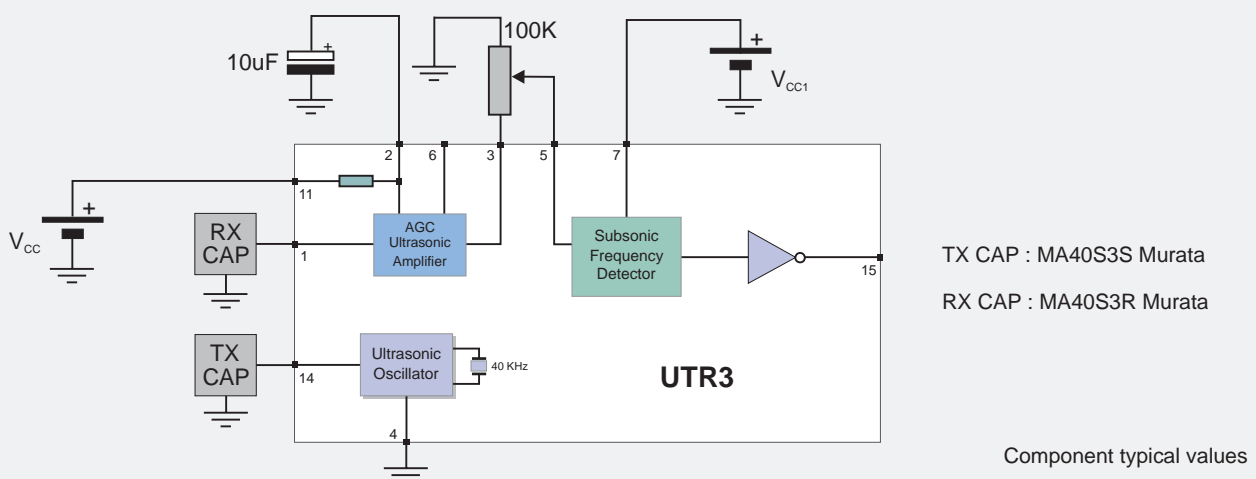
Pin Description

1	RXC	Ultrasonic Piezoceramic Receiver Input (RXCAP)
2	Cext	Supply Voltage External Capacitor
3	TRM1	External Trimmer
4	GND	Ground
5	TRM2	External Trimmer
6	TP	Test Point
7	VCC1	+5V Supply Voltage
11	VCC	+12V Supply Voltage
14	TXC	Ultrasonic Piezoceramic Transmitter Output (TXCAP)
15	OUT	OUT="LOW" if Objet is moving

Mechanical Dimensions

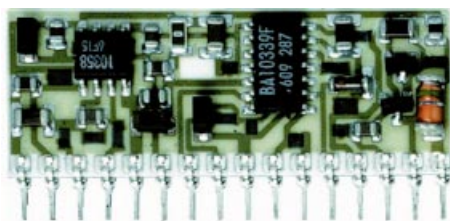


TYPICAL APPLICATION



PID1

Passive Infrared Detector



General description

The PID1 is an hybrid circuit that allows to realize a passive infrared detector adding few external components.

Detection is based on infrared radiations emitted by human body.

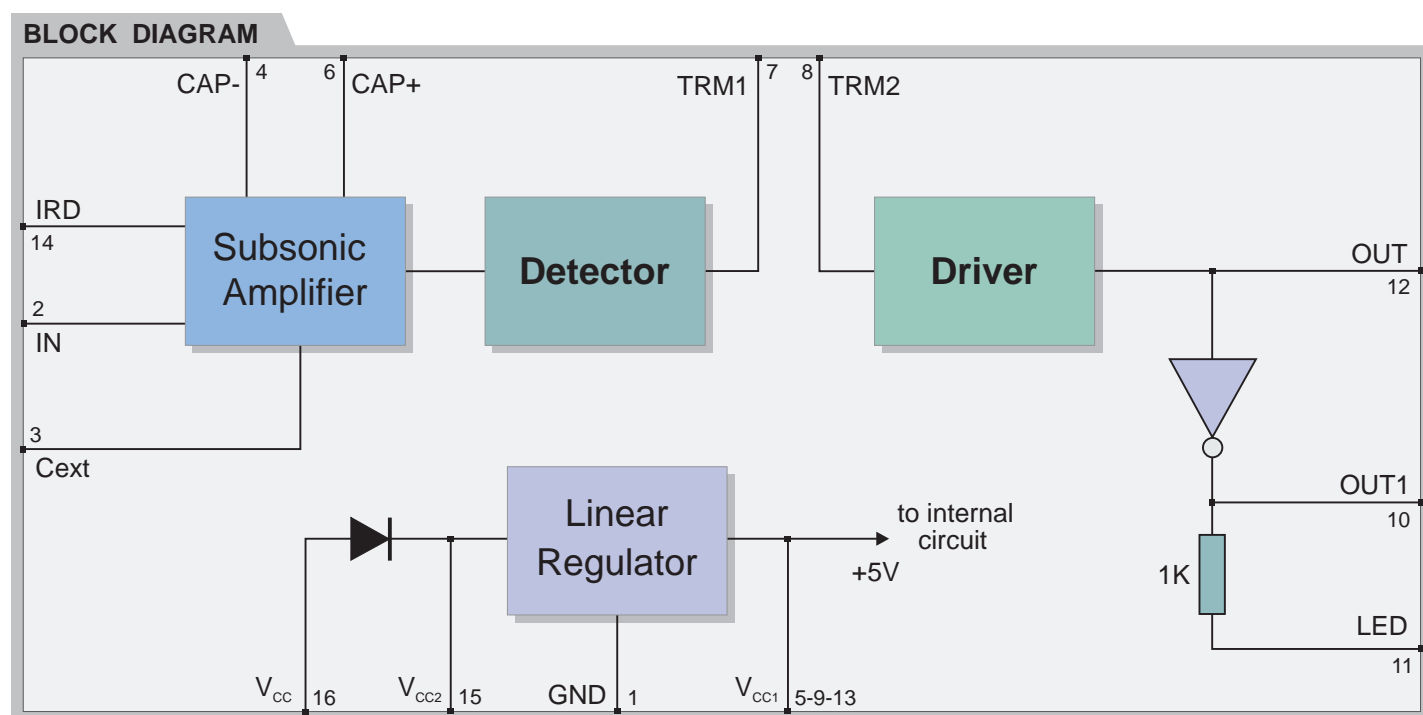
It shows stable electric characteristics thanks to the "Thick film hybrid" technology.

Features

- High RFI Immunity
- SIL Package

Applications

- Residential and commercial security systems
- Automatic doors opening systems



Electrical Characteristics

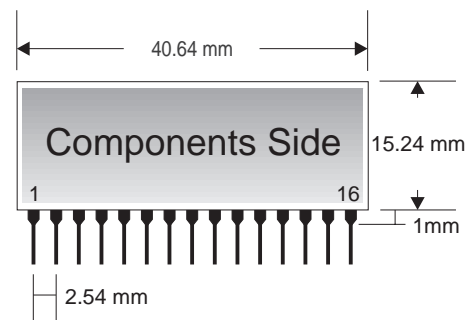
Ta = 25°C unless otherwise specified

CHARACTERISTICS		MIN	TYP	MAX	UNIT
V _{CC}	Supply Voltage	9	12	16	VDC
I _S	Supply Current		5		mA
G	Amplifier Gain		70		dB
B _W	Amplifier Bandwidth	1		10	KHz
I _o	Out2 Sink Current			20	mA
T _{OP}	Operating Temperature Range	-10		+70	°C

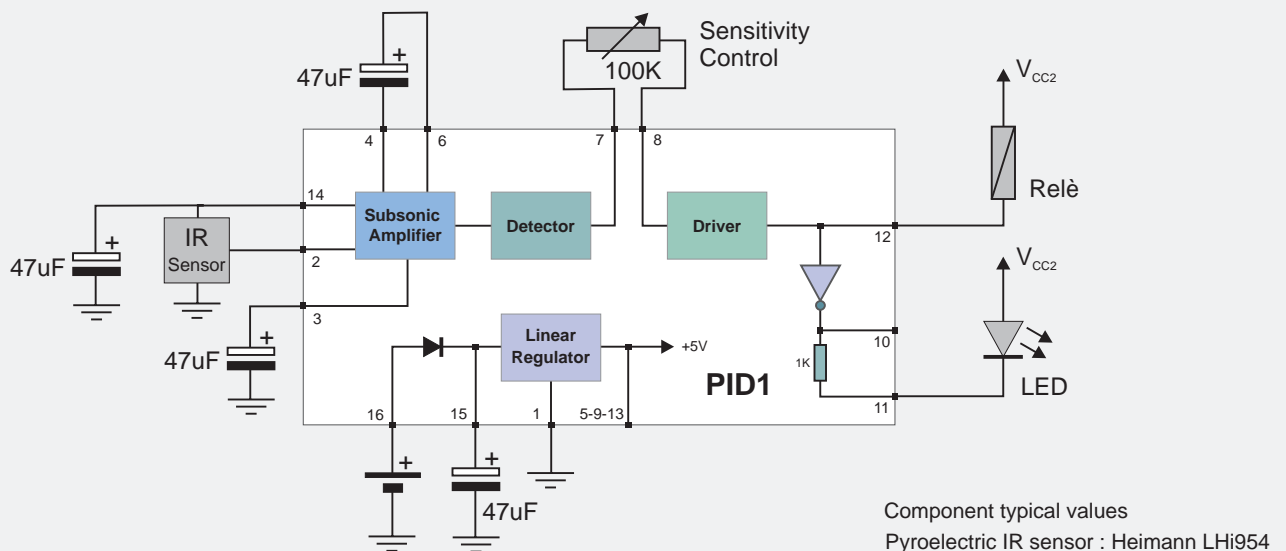
Pin Description

1	GND	Ground
2	IN	Infrared Sensor Input
3	Cext	External Capacitor
4	CAP-	External Capacitor (-)
5-9-13	Vcc1	Supply Voltage of Internal Stage
6	CAP+	External Capacitor (+)
7	TRM1	External Trimmer
8	TRM2	External Trimmer
10	Out1	Output Signal (active low)
11	LED	Led Control Signal
12	Out	Output Signal (active high)
14	IRD	Infrared Sensor Drain
15	Vcc2	+12V Output Voltage
16	Vcc	Input Supply Voltage

Mechanical Dimensions



TYPICAL APPLICATION



IRT1

Infrared Pulse Transmitter



General description

The IRT1 is an hybrid circuit that allows to realize an infrared barrier when utilized with an infrared pulse detector (IRD1).

It shows stable electric characteristics thanks to the "Thick film hybrid" technology.

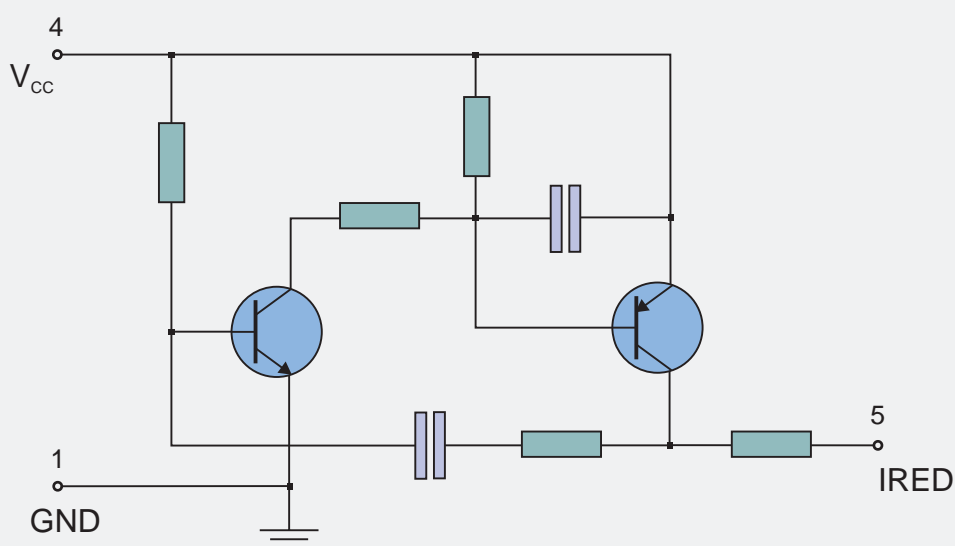
Features

- High RFI Immunity
- SIL Package

Applications

- Residential and commercial security systems
- Automatic doors opening systems

BLOCK DIAGRAM



Electrical Characteristics

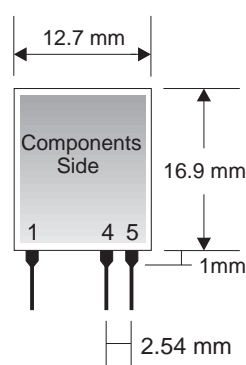
Ta = 25°C unless otherwise specified

CHARACTERISTICS		MIN	TYP	MAX	UNIT
V _{CC}	Supply Voltage	8	9	10	VDC
I _S	Supply Current		35		mA
F _{IR}	Infrared Pulse Frequency	300	400		Hz
T _p	Pulse Width		40		µsec
T _{OP}	Operating Temperature Range	-20		+80	°C

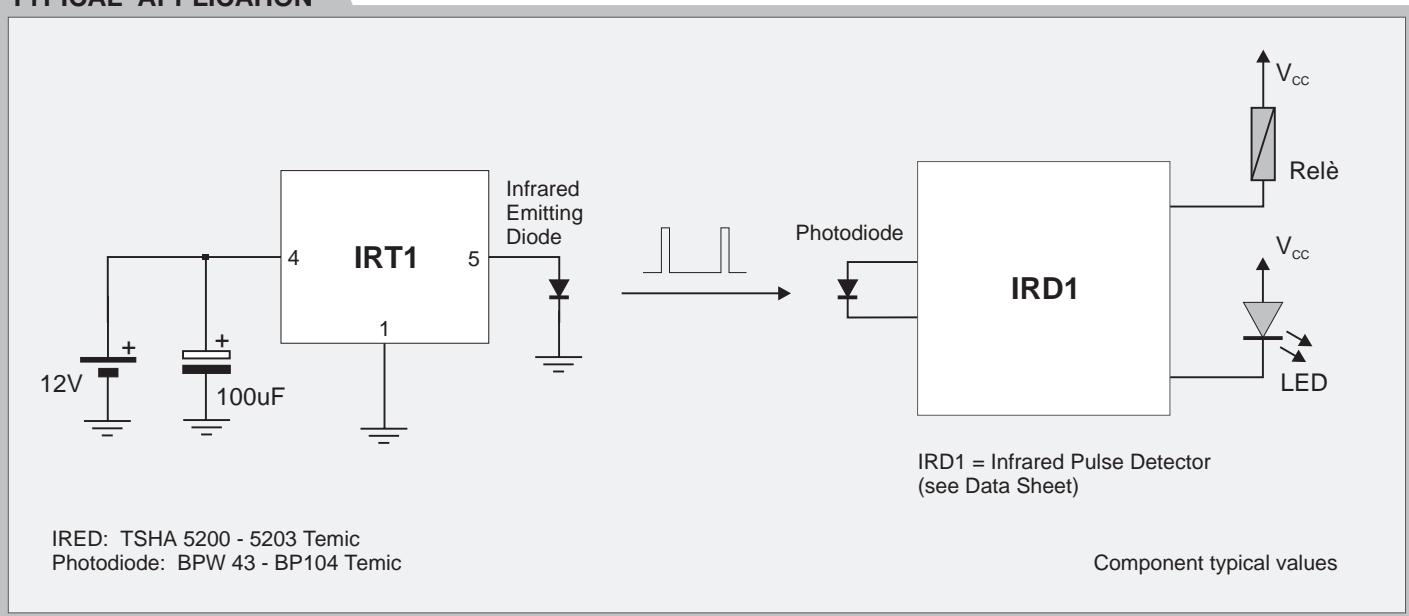
Pin Description

1	GND	Ground
4	Vcc	Supply Voltage
5	IRED	Infrared Emitting Diode

Mechanical Dimensions

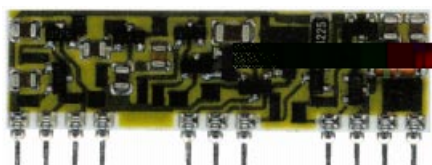


TYPICAL APPLICATION



IRD1

Infrared Pulse Detector



General description

The IRD1 is an hybrid circuit that allows to realize an infrared barrier when utilized with an infrared pulse transmitter (IRT1).

IRD1 detect IR pulses and activate the output signal when the barrier is interrupted by an object.

It shows stable electric characteristics thanks to the "Thick film hybrid" technology.

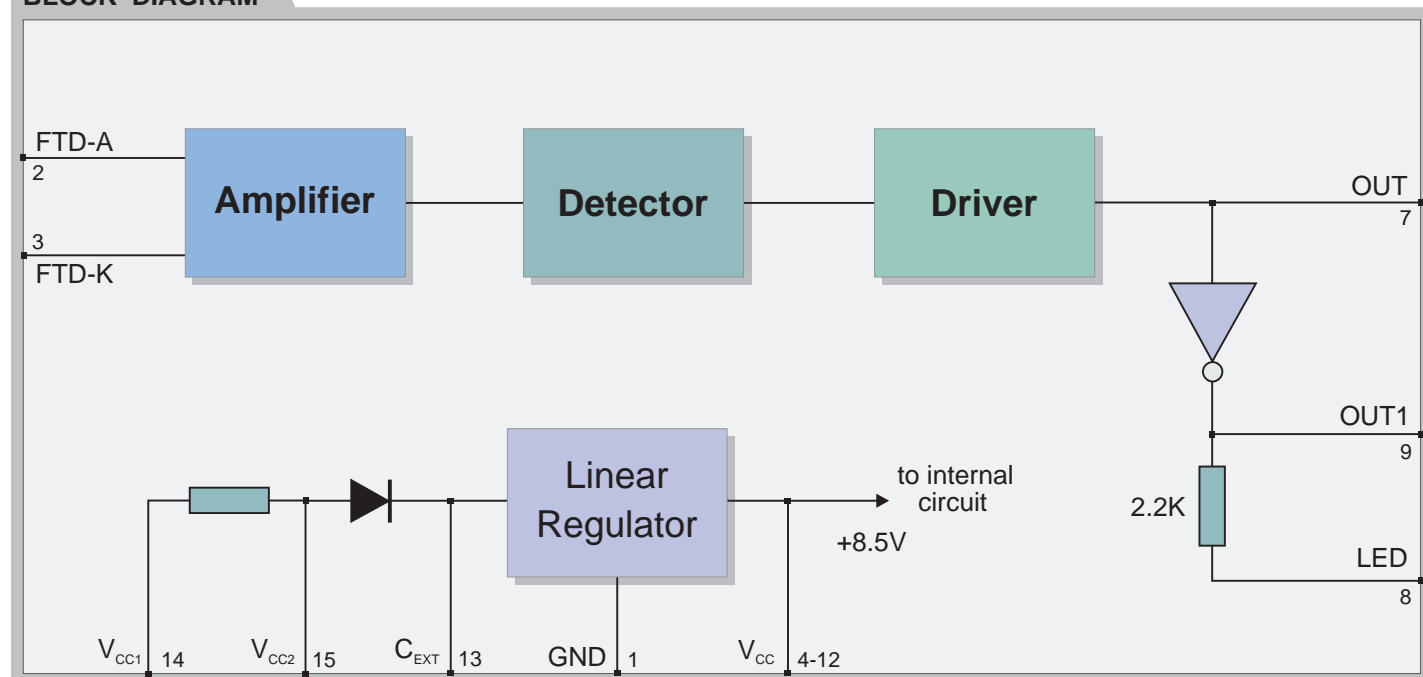
Features

- High RFI Immunity
- SIL Package

Applications

- Residential and commercial security systems
- Automatic doors opening systems

BLOCK DIAGRAM



Electrical Characteristics

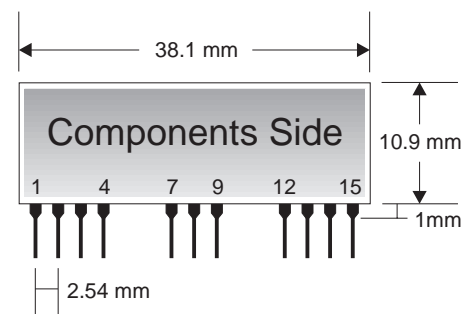
Ta = 25°C unless otherwise specified

CHARACTERISTICS		MIN	TYP	MAX	UNIT
V _{CC1}	Supply Voltage	18	24	32	VDC/VAC
V _{CC2}	Supply Voltage	9	12	18	VDC/VAC
I _S	Supply Current		3		mA
F _{IR}	Infrared Pulse Frequency	300	400		Hz
I _O	Out Sink Current			20	mA
T _{OP}	Operating Temperature Range	-20		+80	°C

Pin Description

1	GND	Ground
2	FTD-A	Photodiode Anode
3	FTD-K	Photodiode Katode
4-12	V _{CC}	Supply Voltage of Internal Stage
7	Out	Output Signal (Low if impulse received)
8	LED	Led Control Signal
9	Out1	Output Signal (High if impulse received)
13	C _{EXT}	External Filter Capacitor
14	V _{CC1} *	24V DC/AC Supply Voltage
15	V _{CC2} *	12V DC/AC Supply Voltage

Mechanical Dimensions



* Only one power supply voltage is necessary (12 or 24 V)

TYPICAL APPLICATION

