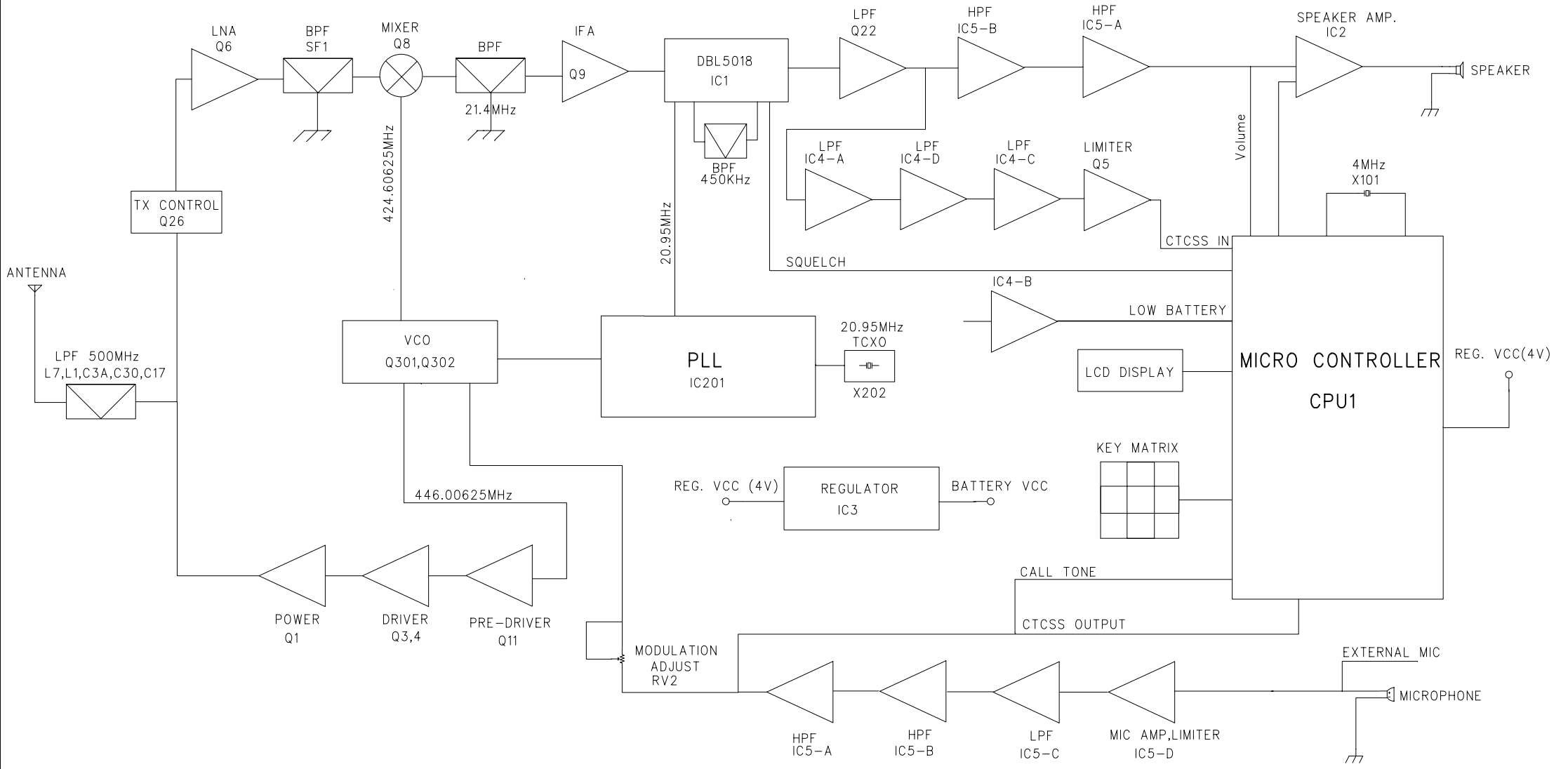


G7 BLOCK DIAGRAM



BLOCK DIAGRAM				
Title	G7BLK.SCH			
Drawn	Sheet	Drawing No	PCB No	REV