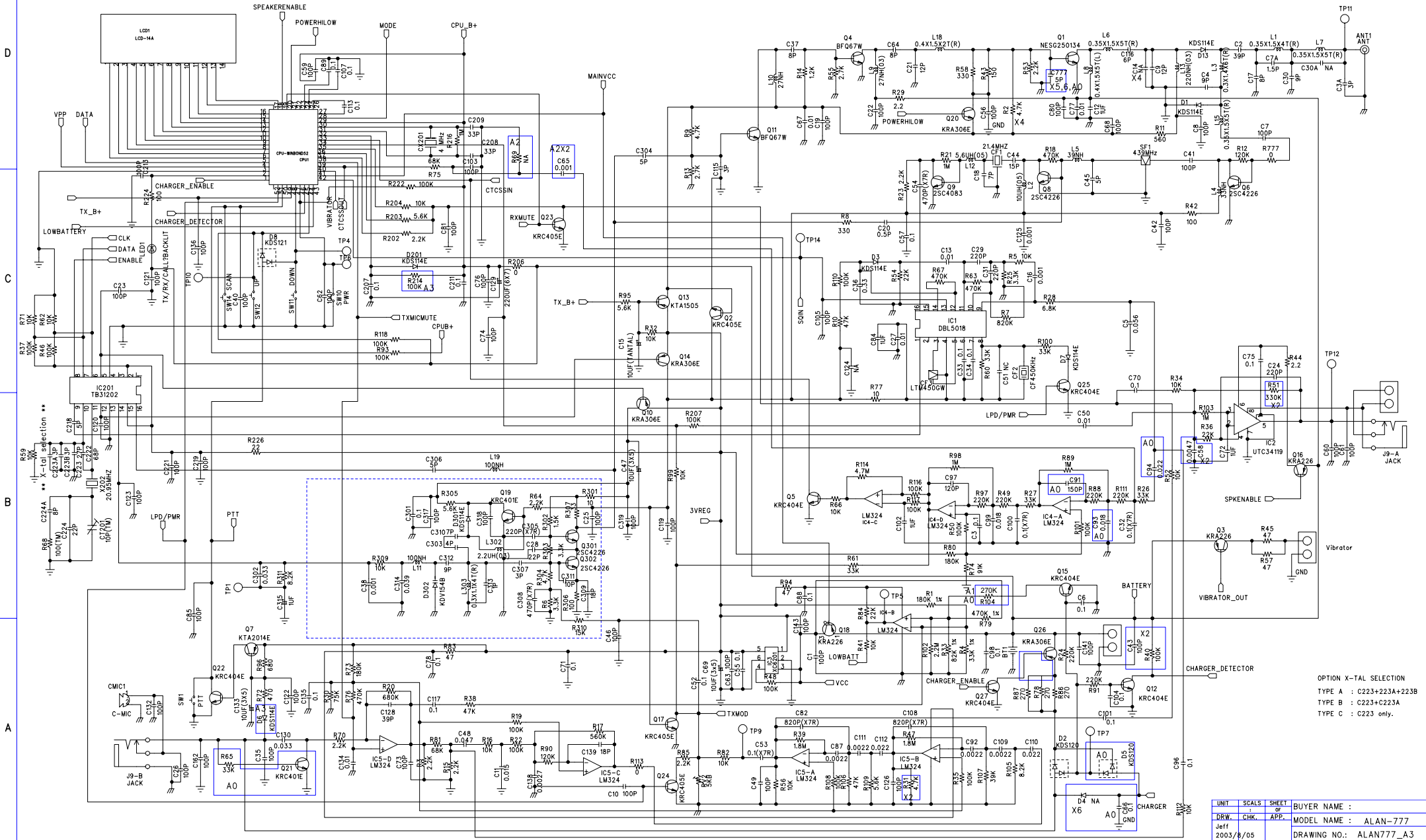


SCHEMATIC DIAGRAM



OPTION X-TAL SELECTION
 TYPE A : C223+223A+223B
 TYPE B : C223+C223A
 TYPE C : C223 only.

UNIT	SCALS	SHEET	BUYER NAME :
DRW.	CHK.	APP.	MODEL NAME : ALAN-777
2003/8/05			DRAWING NO. : ALAN777_A3