

REVISION RECORD			
LTR	ECO NO:	APPROVED:	DATE:

D

C

B

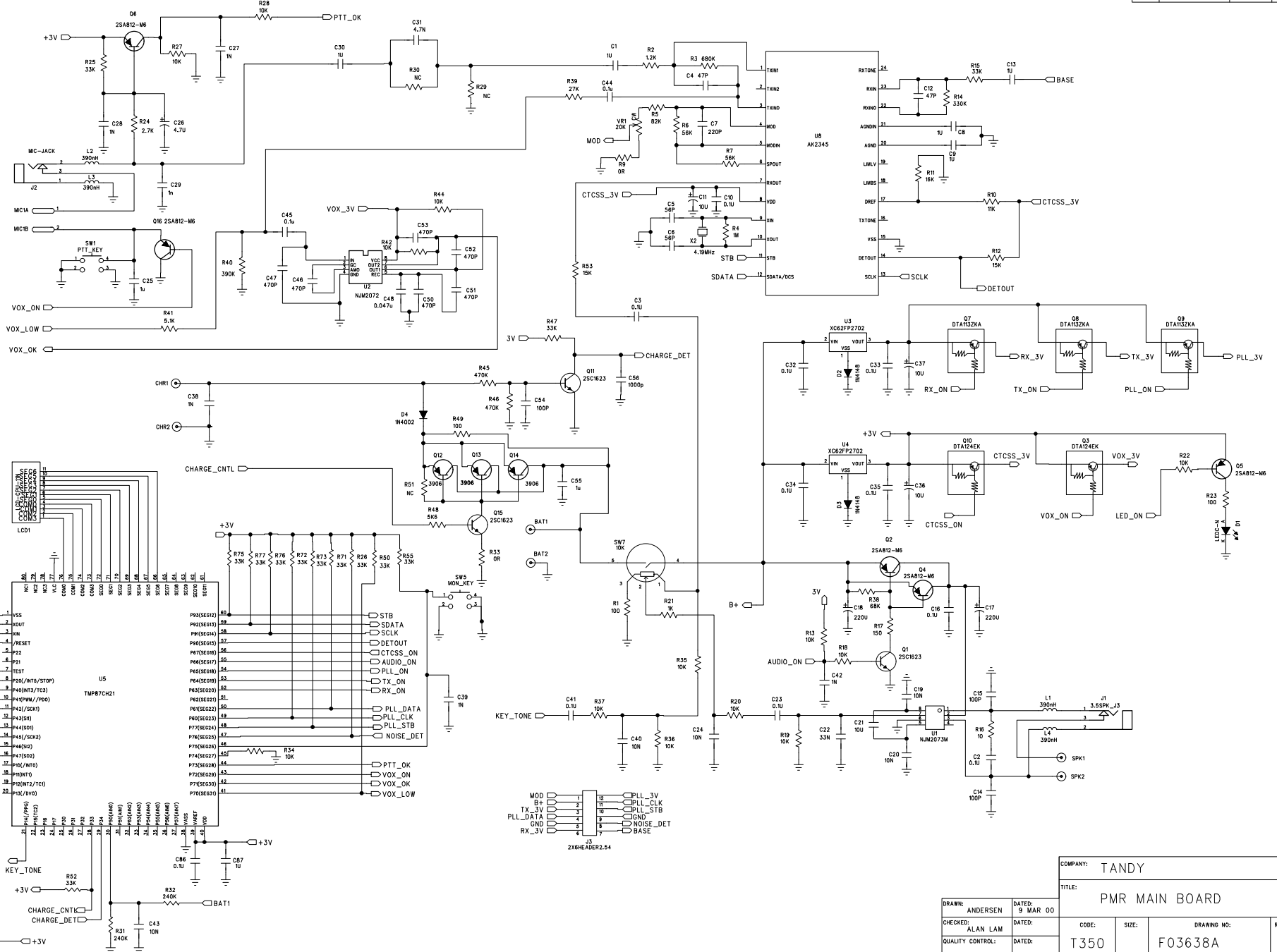
A

D

C

B

A



COMPANY: TANDY		TITLE: PMR MAIN BOARD	
DRAWN: ANDERSEN	DATED: 9 MAR 00	CODE: T350	DRAWING NO: F03638A
CHECKED: ALAN LAM	DATED:	SCALE:	REV: A
QUALITY CONTROL:	DATED:	SHEET: OF	
RELEASED:	DATED:		