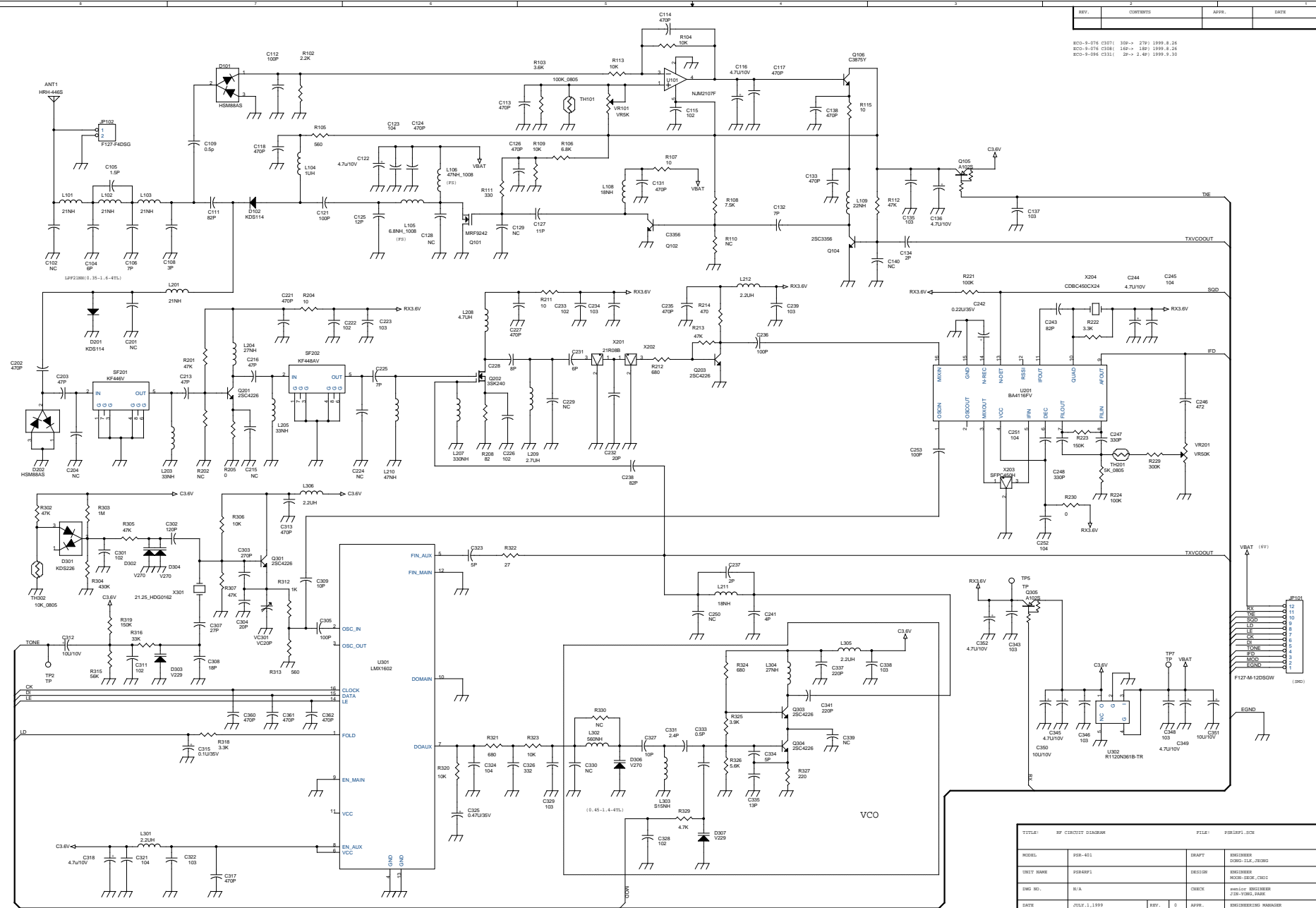


REV.	DESCRIPTION	APPR.	DATE
------	-------------	-------	------

820-9-076 C307(30P-> 27P) 1999.8.26
 820-9-076 C308(18P-> 18P) 1999.8.26
 820-9-096 C311(2P-> 2.4P) 1999.9.10



TITLE: SP CIRCUIT DIAGRAM		FILE: P818P1.SCH	
MODEL:	P8R-001	DRAFT:	ENGINEER
DESIGN NAME:	P8R4P1	DESIGN:	ENGINEER
DRG NO.:	S/A	CHECK:	ANALOG ENGINEER
DATE:	JUL-1, 1999	REV.:	0
SIRAJAR ELECTRONICS CO., LTD.		APPR.:	ENGINEERING MANAGER
		DATE:	2000.07.01